

1 2 3 4 5 6

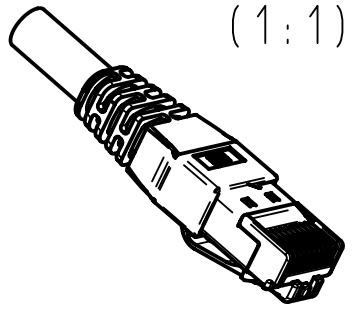
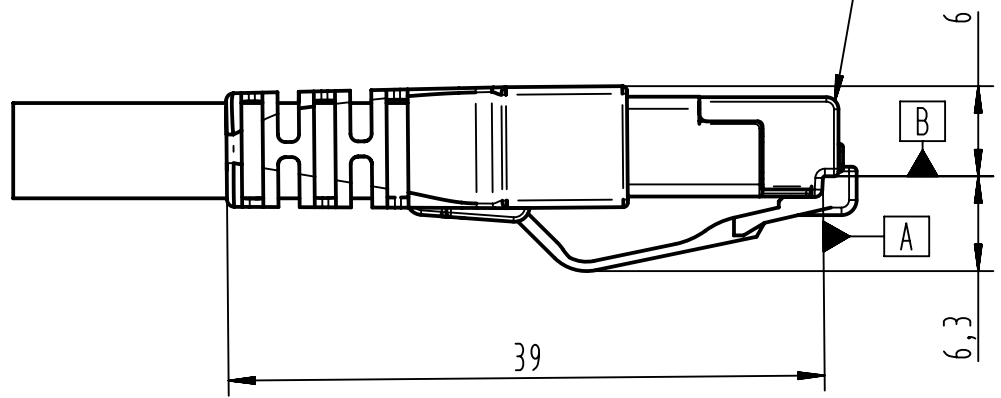
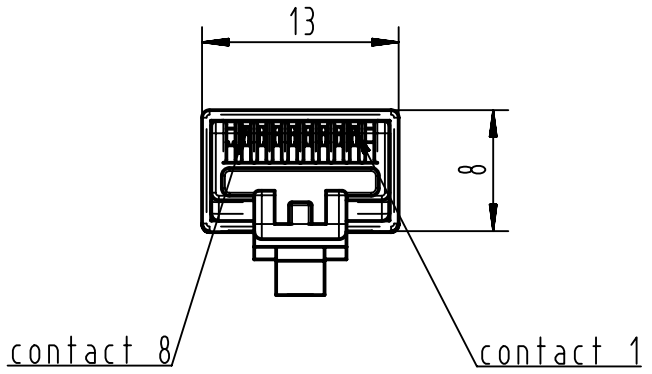
A

B

C

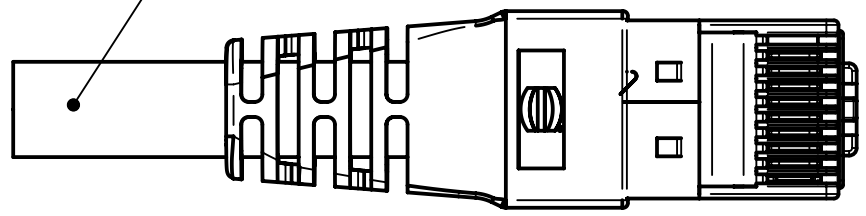
D

mating face according to IEC 60603-7




(1:1)

Cable \varnothing 4.5mm - \varnothing 6.5mm



- For stranded conductors
AWG 28 to AWG 24
- Max wire diameter 1.05mm
- Cat.6A performance class EA
suitable for 1/10 Gigabit Ethernet
- Temperature range -40°C up to +70°C
- 750 mating cycles
- packaging unit : 100 pcs.

	All Dimensions in mm Original Size DIN A4	Scale 2:1	Free size tol.		Ref.	
	All rights reserved Department EC PD - FR	Created by ATIRIS	Inspected by DAUCHELLE	Standardisation HOFFMANN	Date 2013-03-19	State Final Release
HARTING Electronics GmbH D-32339 Espelkamp		Title RJ45 Gigalink RJ45 plug Cat.6A C., 8p			Doc-Key / ECM-Nr. 100521672/UGD/000/B 500000059856	
		Type TB	Number 09451511525		Rev. B	Page 1/1