



Paulmann

Safety Instructions

1, 2, 3, 4, 5, 6, 8, 12, 16, 17, 18,
19, 20, 22, 24, 29, 30, 31, 32,
33, 34



31.08.2021

01.09.2021



A++ - A

G



www.paulmann.com/symbols

Paulmann Licht GmbH
Quezinger Feld 2
31832 Springe
Germany

www.paulmann.com

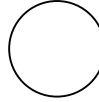
Art.-Nr.: 968.11
968.13



(+MA326) PH 11/21



1x



1x

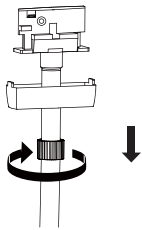


incl.

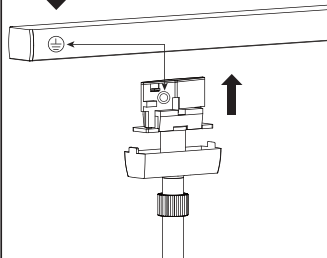
A



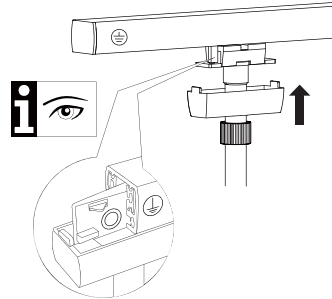
Safety Instructions
Nr. 3,4,5,6



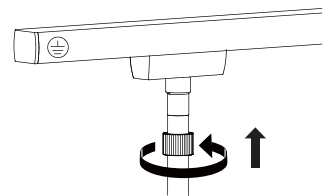
B



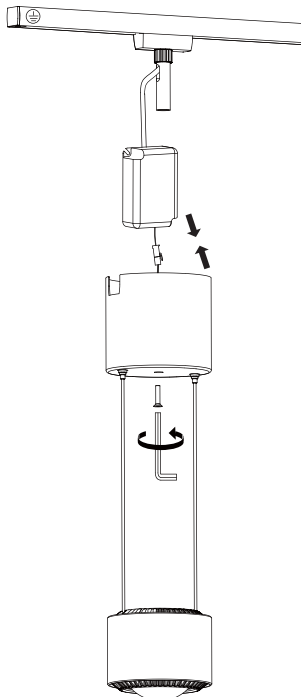
C



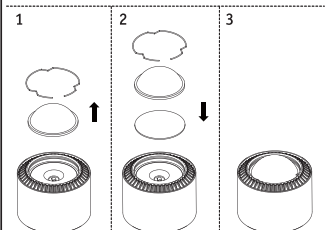
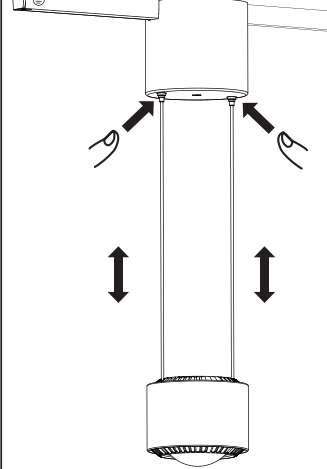
D



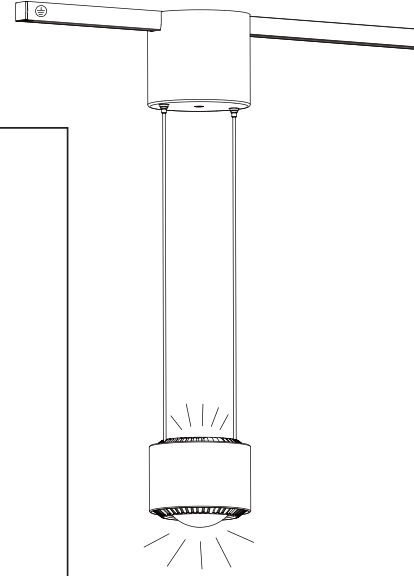
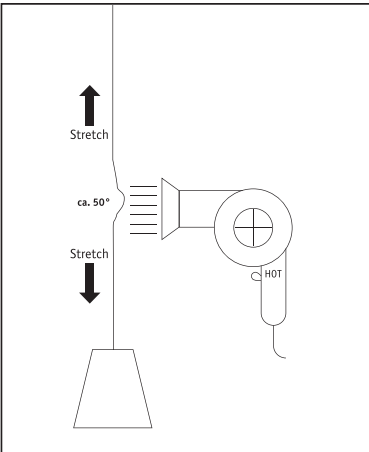
E



F



G



In the event that the cables between the canopy and the lamp head are twisted and not parallel to the URail: To straighten the cables - run your finger and thumb along the cable.
To untwist the cables - push the quick release mechanism into the canopy and slightly turn the cable in the required direction.

