

Plug - with short cable sleeve lockable



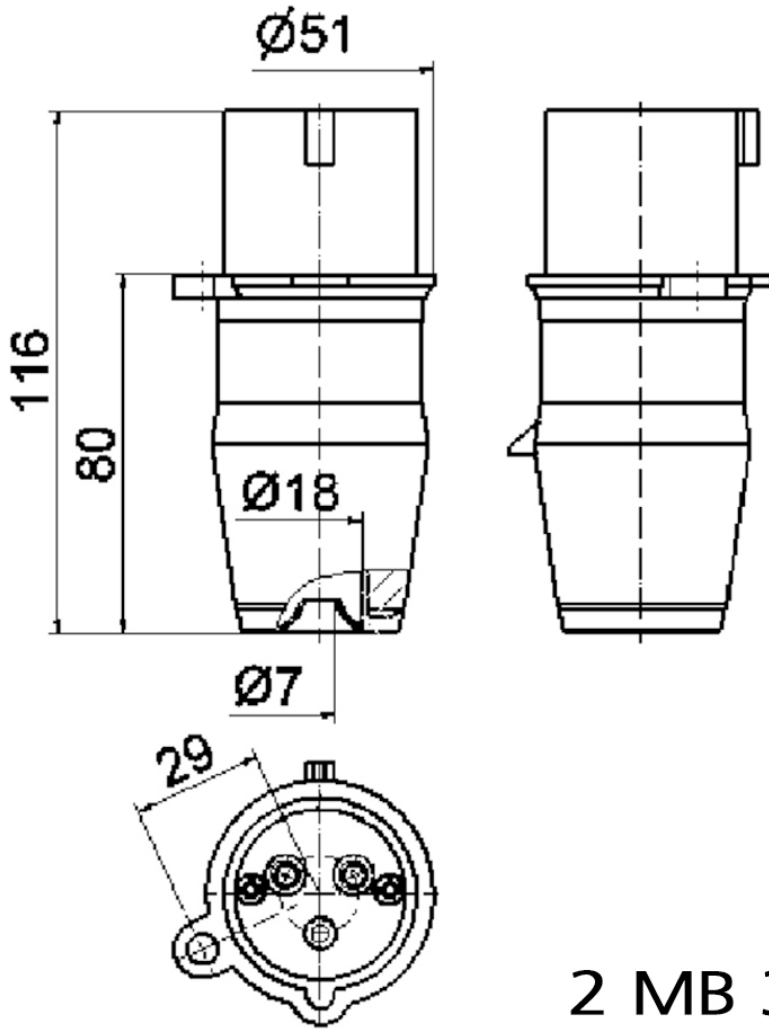
Product description	
BALS-Prd.-Nr	219
EAN	4024941002196
product category (PG)	GT plug
current (A)	16A
number of poles (P99)	3p
number of poles (P)	2P+PE
position of earth contact (H)	6 h
voltage (V)	200 up to 250V
frequency (HZ)	50 and 60Hz

Product description	
protection degree (SA)	IP44
colour code 1 (KF1)	blue RAL 5015
Colour of appliance	Collar blue RAL 5015, anti-kink sleeve grey RAL 7035, Housing cover blue RAL 5015
connection design (AT)	with screw terminal
maximum conductor size (LQ)	2,5 qmm
cable entry (KE)	Anti-kink sleeve
Height	116mm
Width	61mm
Depth	51mm
material of enclosure (GM)	Polyamide
contact	The contact carrier is made of polyamide, The contacts are brass

Additional technical properties	
	Lockable with padlock bow diameter 5 mm, With short cable sleeve

Logistics data	
Weight/pcs	0.131 kg / Piece
Packaging	Bag
Content amount	1 ST
EAN	4024941002196
Length	51 mm

Logistics data	
Width	61 mm
Height	116 mm
Weight	0.132 kg
Volume	360.876 ccm
Packaging	Carton
Content amount	10 ST
EAN	4024941968362
Length	248 mm
Width	158 mm
Height	123 mm
Weight	1.407 kg
Volume	3,960 ccm



2 MB 38