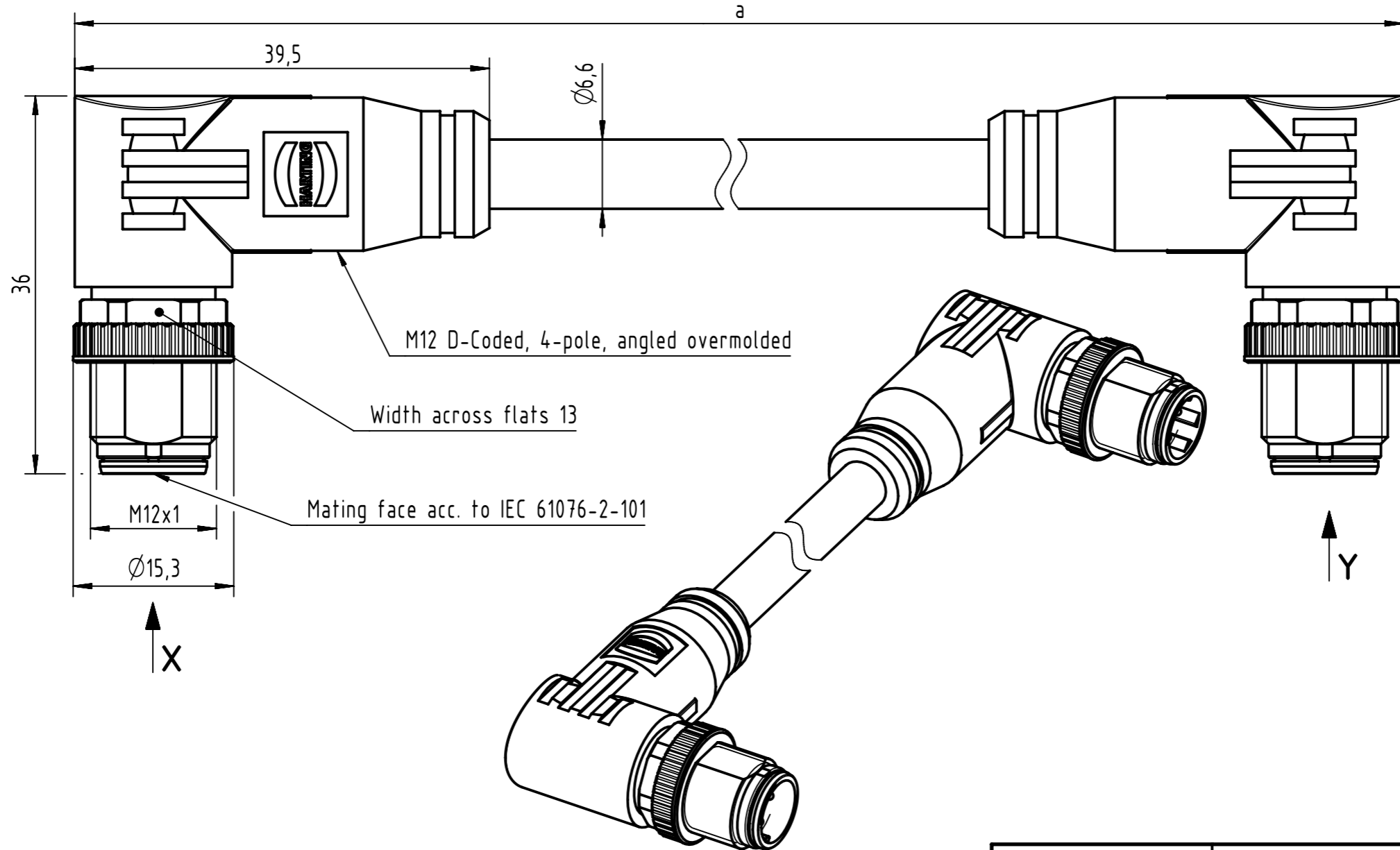


Connector Location A

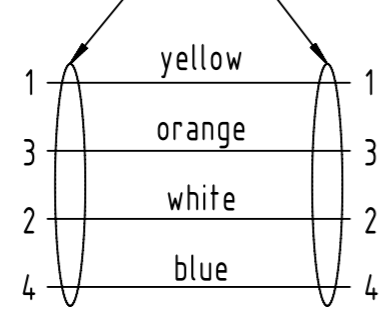
Connector Location B



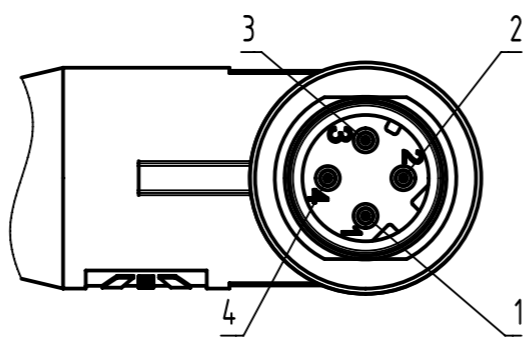
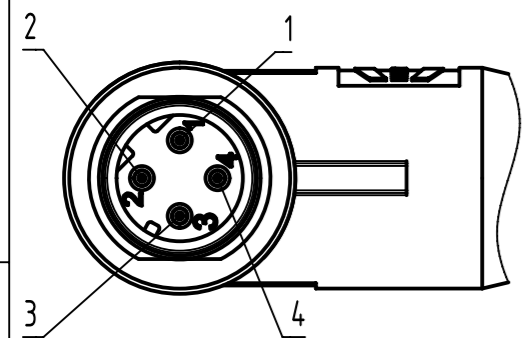
X  
male

Loading Plan

Shield



Y  
male



- Protection level: IP65/67  
- Temperature range: -40°C ... +85°C

length in "1m" step	100	XXX=000
	99	XXX=990
	12	XXX=120
	11	XXX=110
length in "0.1m" step	10	XXX=100
	9.9	XXX=099
	9.8	XXX=098
	0.5	XXX=005
	0.4	XXX=004
	0.3	XXX=003
	0.2	XXX=002
Step	a [m]	XXX

6.0 to 100	±1%
0.6 to 5.9	+0.04
0.2 to 0.5	+0.02
a [m]	Tolerance

Ha-Vis EtherRail 4xAWG 22/7 CAT5 black	09488080011XXX
Type of cable	Part no.

All Dimensions in mm		Tech. Character.		Free size tol.		According to production drawing	
All rights reserved Department HCS - RO HARTING Customised Solutions D-32339 Espelkamp	Created by 407576 Stoica	Inspected by 402676 Gross	Standardisation MUNTEANV Muntean	Date 2022-07-19	State Final Release		Doc-Key / ECM-Nr. 100223119/UGD/156/C 500000221325
	Title M12 D-cod 4-pol an/an m/m Rail		Type TB	Number 09488080011XXX		Rev. C	Page 1/1