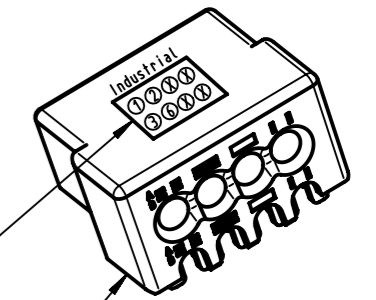
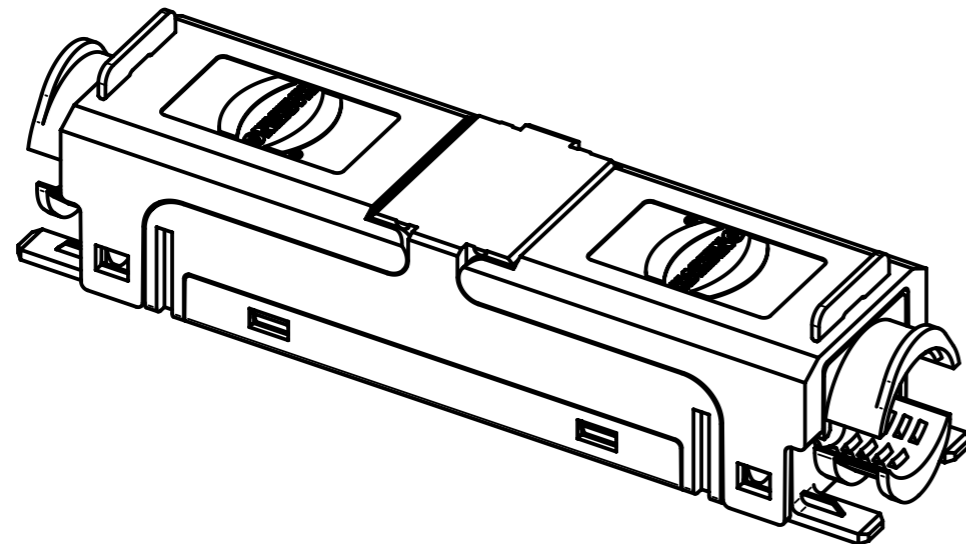


2x cable ties enclosed

Sticker with industrial color code



2x wire manager enclosed



	All Dimensions in mm Original Size DIN A3		Scale 2:1	Free size tol.		Ref.	
	All rights reserved Department EC PD - RO		Created by TAMAS	Inspected by AVRAM	Standardisation HOFFMANN	Date 2015-02-04	State Final Release
HARTING Electronics GmbH D-32339 Espelkamp		Title HARTING RJ Industrial® 10G Extender				Doc-Key / ECM-Nr. 100610244/UGD/001/A 50000084674	
		Type TB	Number 09455451569			Rev. A	Page 1/1