

Connector - with screwless terminals, for harsh applications



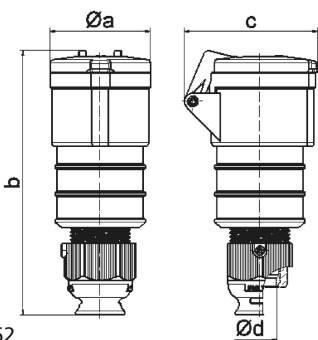
Product description	
BALS-Prd.-Nr	31662
EAN	4024941316620
Product category	Connector QUICK-CONNECT TE
Current	16A
Number of poles	5p
Poles	3p+N+PE
Position of earth contact	9 h
Voltage	120/208 up to 144/250V

Product description	
Frequency	50 and 60Hz
Protection degree	IP44
Colour code	blue RAL 5015
Colour of appliance	Enclosure blue RAL 5015, Hinged lid blue RAL 5015, Cable gland grey RAL 7035
Connection design	screwless spring-clamp Kontex
Maximum conductor size	2,5 qmm
Cable entry	Cable gland
Height	173mm
Width	65mm
Depth	86mm
Material of enclosure	Polyamide
Contact	The contact carrier is made of high temperature resistant material, the contacts are brass nickel plated

Additional technical properties	
	For cable diameter from 10 up to max. 21 mm, Multi-Grip cable gland with gasket, integrated cable clamp and additional water evacuation openings

Logistics data	
Weight/pcs	0.201 kg / Piece
Packaging	Bag
Content amount	1 ST

Logistics data	
EAN	4024941316620
Length	86 mm
Width	65 mm
Height	173 mm
Weight	0.202 kg
Volume	967.07 ccm
Packaging	Carton
Content amount	10 ST
EAN	4024941834667
Length	245 mm
Width	177 mm
Height	185 mm
Weight	2.143 kg
Volume	7,140 ccm



3 MB 62

Ampere	16	16	16	32	32	32
Polzahl	3	4	5	3	4	5
a ø	51,0	58,0	65,0	66,5	66,5	72,0
b	156,0	162,0	168,0	195,0	195,0	198,0
c	72,0	78,0	86,0	89,0	89,0	99,0
d ø	18,0	18,0	21,0	23,0	23,0	27,0
Leiter mm ² min	1	1	1	2,5	2,5	2,5
Leiter mm ² max	2,5	2,5	2,5	6	6	6