

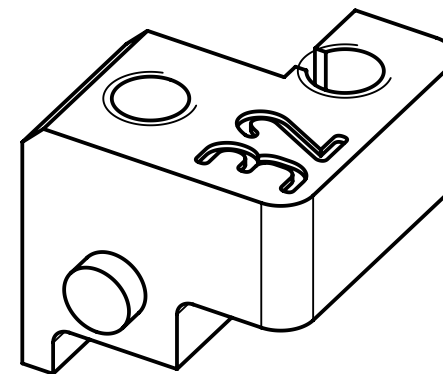
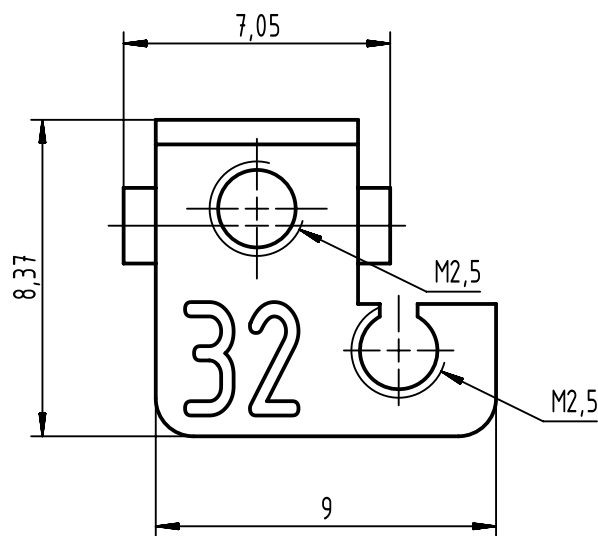
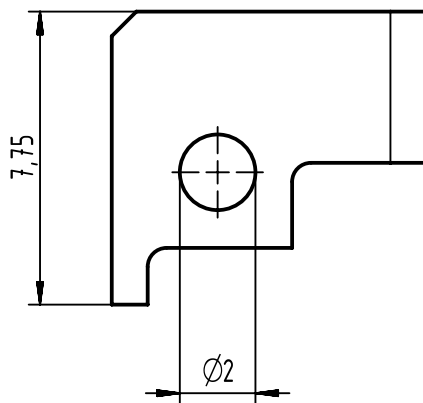
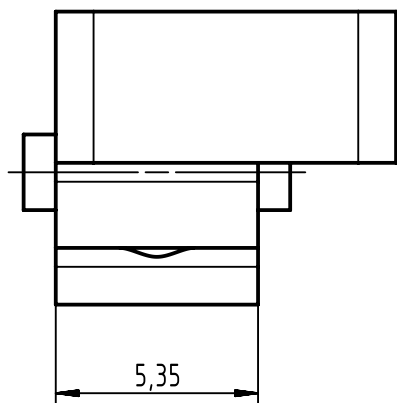
1 2 3 4 5 6

A


B

C

D



tightening torque for screws: 35⁺⁵ Ncm

| | | | | | | | |
|---|--|--|---------------------------|---------------------------|-------------------------------|--|-------------|
|  | All rights reserved Department EC PD - DE | All Dimensions in mm Original Size DIN A4 | | Scale 5:1 | Free size tol. ISO 2768-mH | Ref. Sub. | |
| | | Created by TADJE | Inspected by ELLERMANN | Standardisation KOHLER | Date 2017-10-09 | State Final Release | |
| HARTING Electronics GmbH D-32339 Espelkamp | | Title DIN Signal type C - fixing element pos 32 | | | | Doc-Key / ECM-Nr. 100573797/UGD/002/C 500000125912 | |
| | | Type TB | Number 09030009981 | | | Rev. C | Page 1/1 |