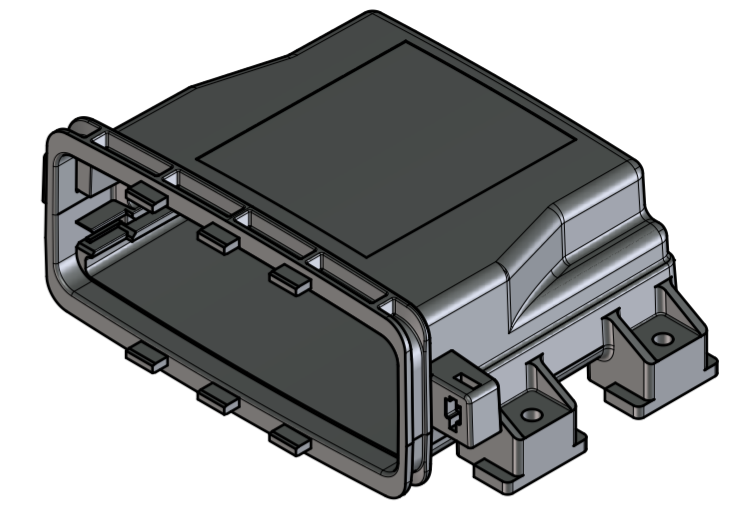
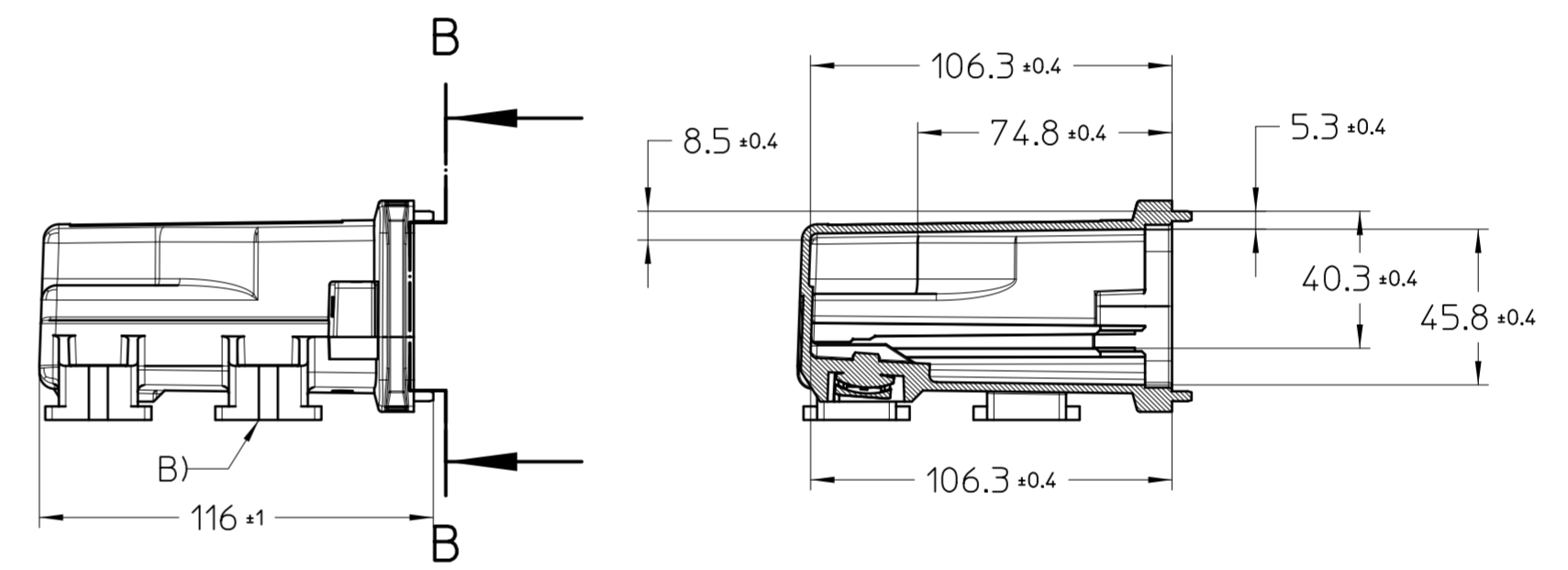
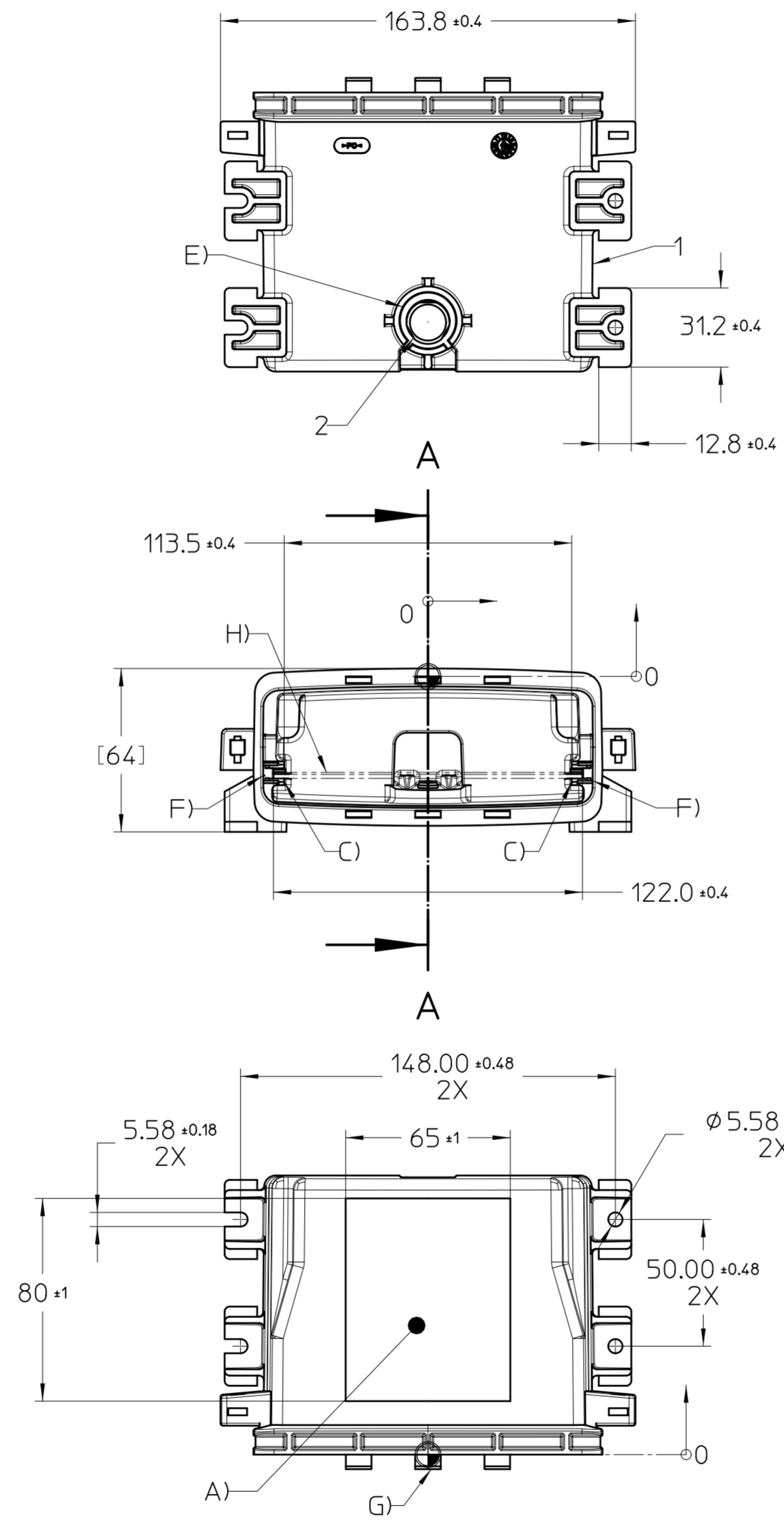


Transfer or duplication of this document as well as the utilisation or communication of its content are not permitted unless express consent is granted. Violations give rise to claims for damages. All rights reserved in case of patent, utility model or design patent registrations.

Weitergabe sowie Vervielfältigung dieses Dokuments, Verwertung und Mitteilung seines Inhalts sind verboten, soweit nicht ausdrücklich gestattet. Zuwiderhandlungen verpflichten zu Schadensersatz. Alle Rechte für den Fall der Patent-, Gebrauchsmuster- oder Designeintragung vorbehalten.



GENERAL INFORMATION:
 - SIMPLIFIED REPRESENTATION
 - DOCUMENT EXCLUDED FROM CHANGE PROCESS
 - LINEAR DIMENSIONS (MM)
 - WEB: WWW.PHOENIXCONTACT.COM WEBCODE: #0857

Additional Information:
 A) LABEL AREA
 B) MOUNTING FEET W/ FLANGES FOR ECS-PM
 C) PCB GUIDE (.062" AND .093" THICK PCB)
 D) M5 NUT FOR ATTACHMENT WITH ECS-P-122X169-S-...
 E) INSTALLED BREATHABLE VENT
 F) MOUNTING AREA FOR ECS-BL
 G) ALIGNMENT LUG (6) FOR ECS-P-122X169-S-...
 H) PCB T=1.57 MM (.062") / T=2.36 MM (.093")

WORKPIECE ZERO POINT FOR MECHANICAL PROCESSING

Pos.	QTY	description	material
1	1	ECS ENCLOSURE	PC
2	1	BREATHABLE VENT	PBT
3	2	M5 NUT	Zn STL

DIN A2	document-No. / RI 01132318 / 01	date 09.01.2026	scale 1:2
	ident.-No. 1054708	document-type TECDOC 2D_Productdrawing	
page 1	of 1	description ECS-B-122X109-S-UV -V GY	