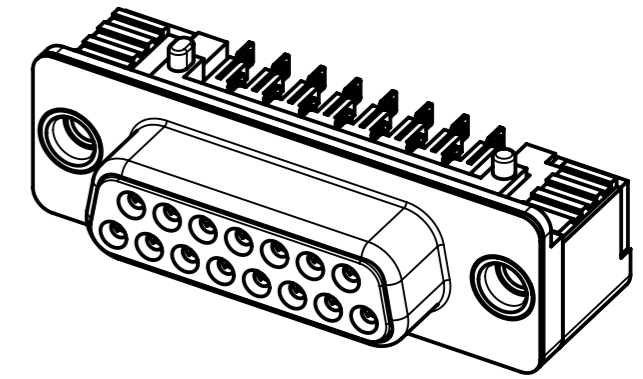
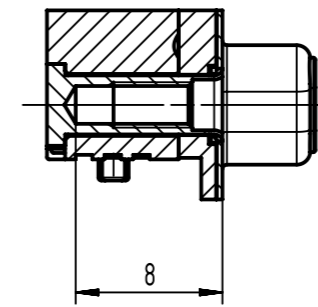
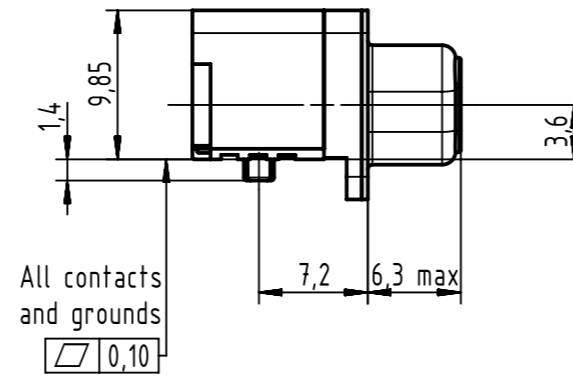
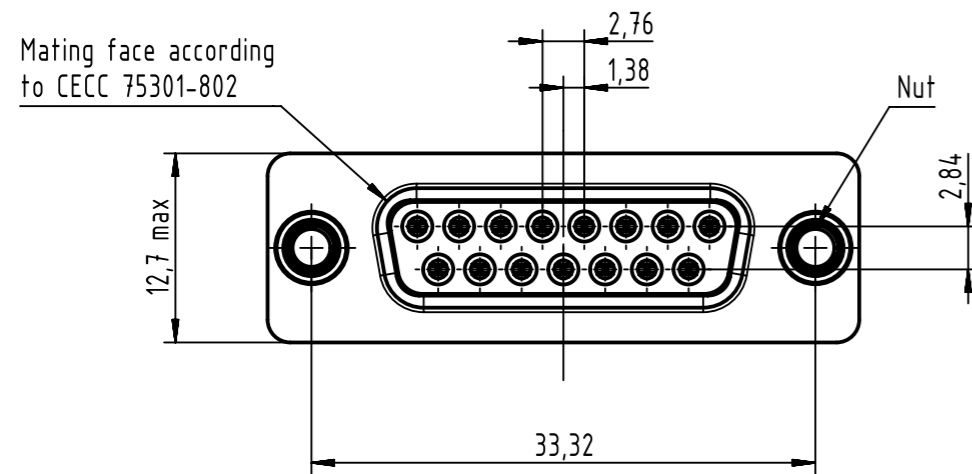
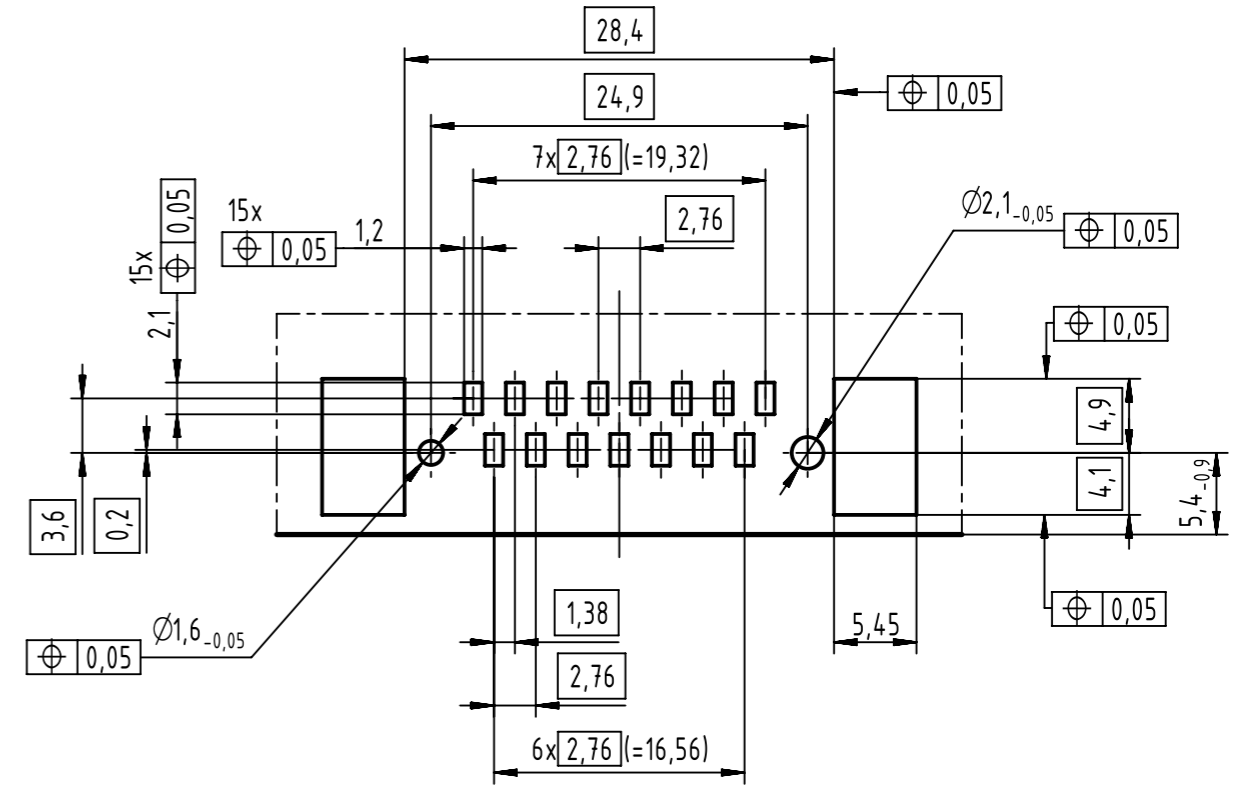
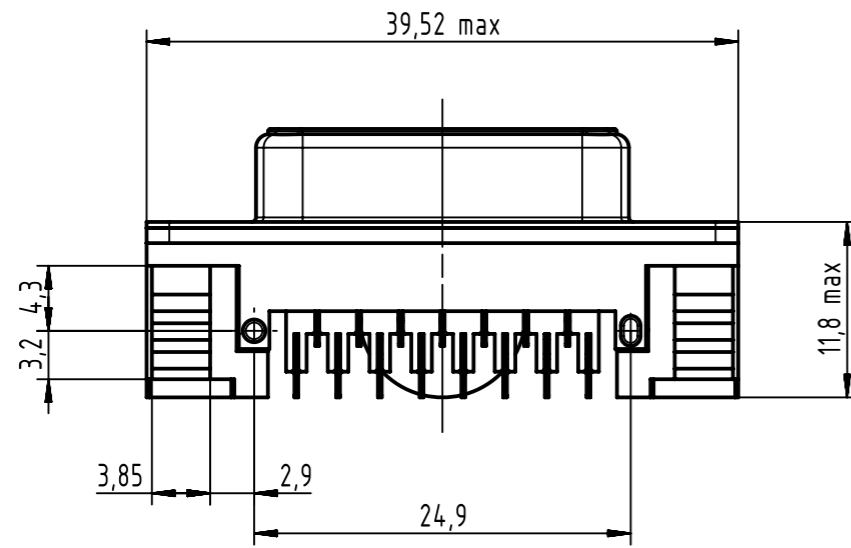


PCB layout, component side (thickness 1,6 min)



Max. Temperature: 260°C during 10 seconds.
Find further technical information on DS 09550200301.

0955 256 6616 333	2	4-40 UNC	Black insulator	Samples
0955 256 3616 741	1			Reel packaging (160 connectors)
0955 256 6616 741	2			
0955 256 7616 741	3			
Part number	PL	Nut	Index designation	

	All rights reserved Department EC PD - CN HARTING Electronics GmbH D-32339 Espelkamp	All Dimensions in mm Original Size DIN A3	Scale 2:1	Free size tol.	Ref. Sub.
		Created by ZENG D	Inspected by LUOK	Standardisation HOFFMANN	Date 2016-08-29
Title D-Sub angled low-profile SMT 15-pole fem ass with screw nut					Doc-Key / ECM-Nr. 100512302/UGD/002/B 500000107668
Type TB		Number 0955256X616		Rev. B	Page 1/1