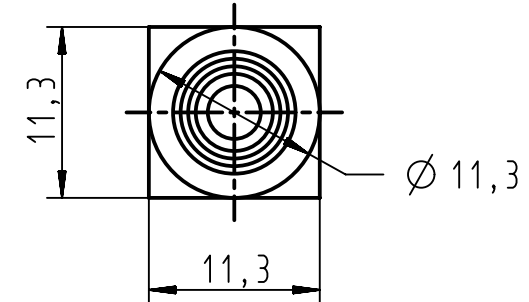
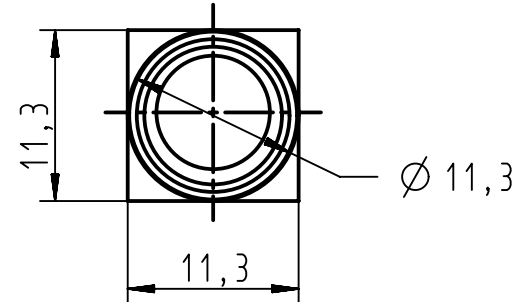
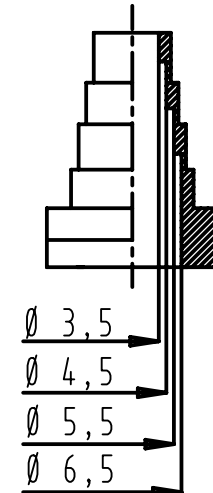
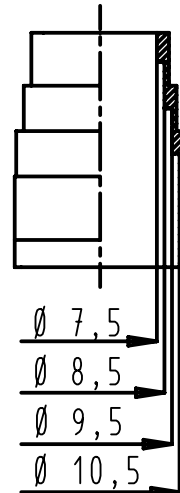


A

B

C

D



Maximum cable outer  $\emptyset$  from 7,3 to 10,3

Maximum cable outer  $\emptyset$  from 3,3 to 6,3

To be used with : 09 67 0xx 0424  
 xx = 15, 25, 37, 50.

To be used with : 09 67 0xx 0430  
 09 67 0xx 0434  
 09 67 0xx 0462  
 09 67 0xx 0463

xx = 09, 15, 25, 37.

	All rights reserved Department EC PD - FR	All Dimensions in mm Original Size DIN A4		Scale 2:1	Free size tol.	Ref.
		HARTING Electronics GmbH D-32339 Espelkamp	Created by DOUGE	Inspected by BAGDIKIAN	Standardisation HOFFMANN	Date 2012-10-15
Title Black plastic grommets						Doc-Key / ECM-Nr. 100516203/UGD/001/A 500000055786
Type TB				Number 09670019968		Rev. A
						Page 1/1