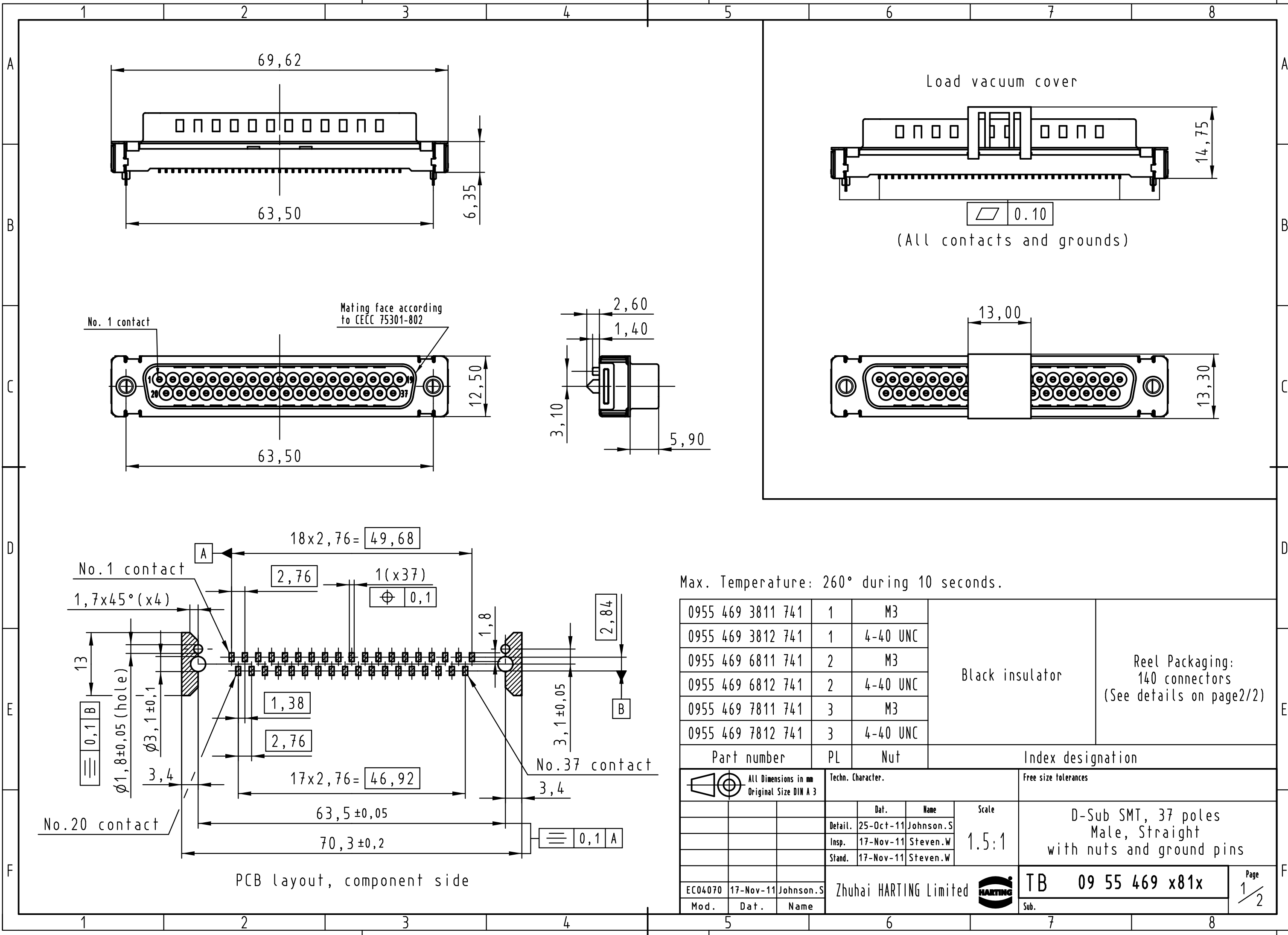


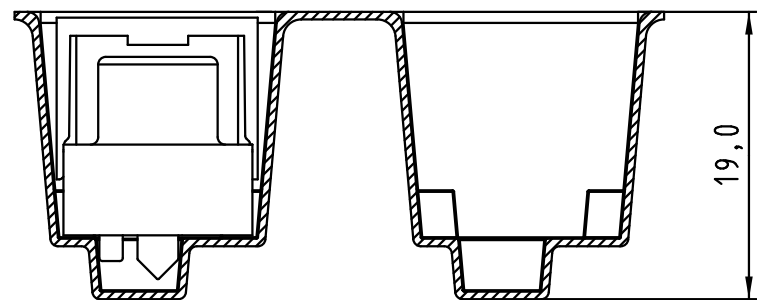
All rights reserved



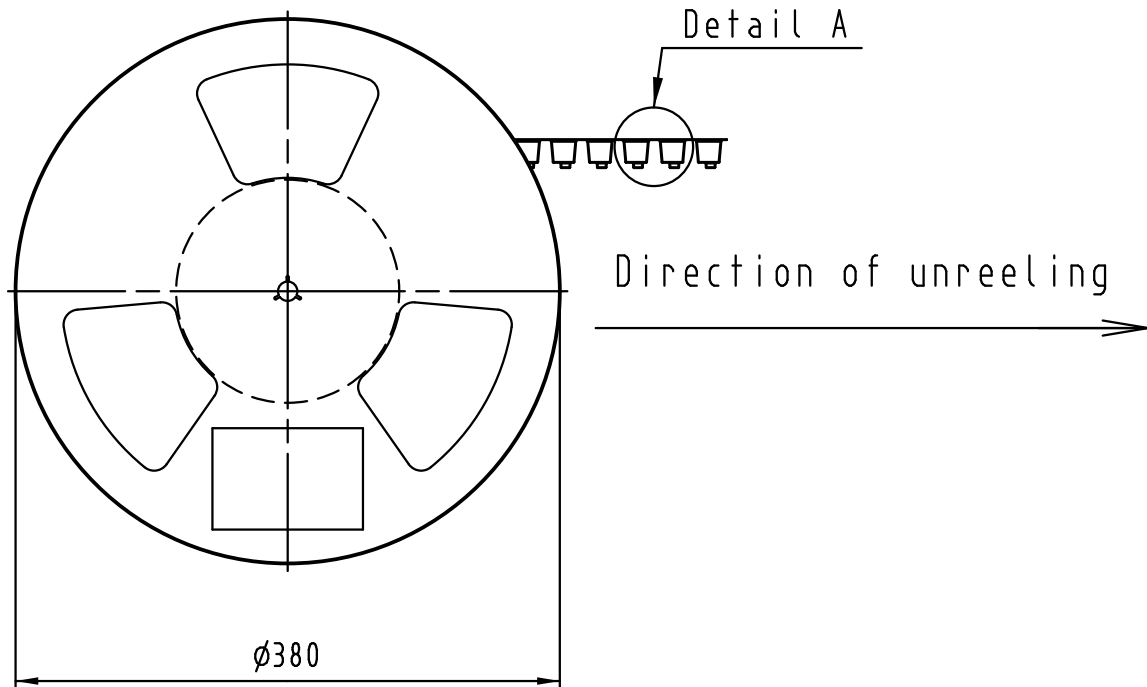
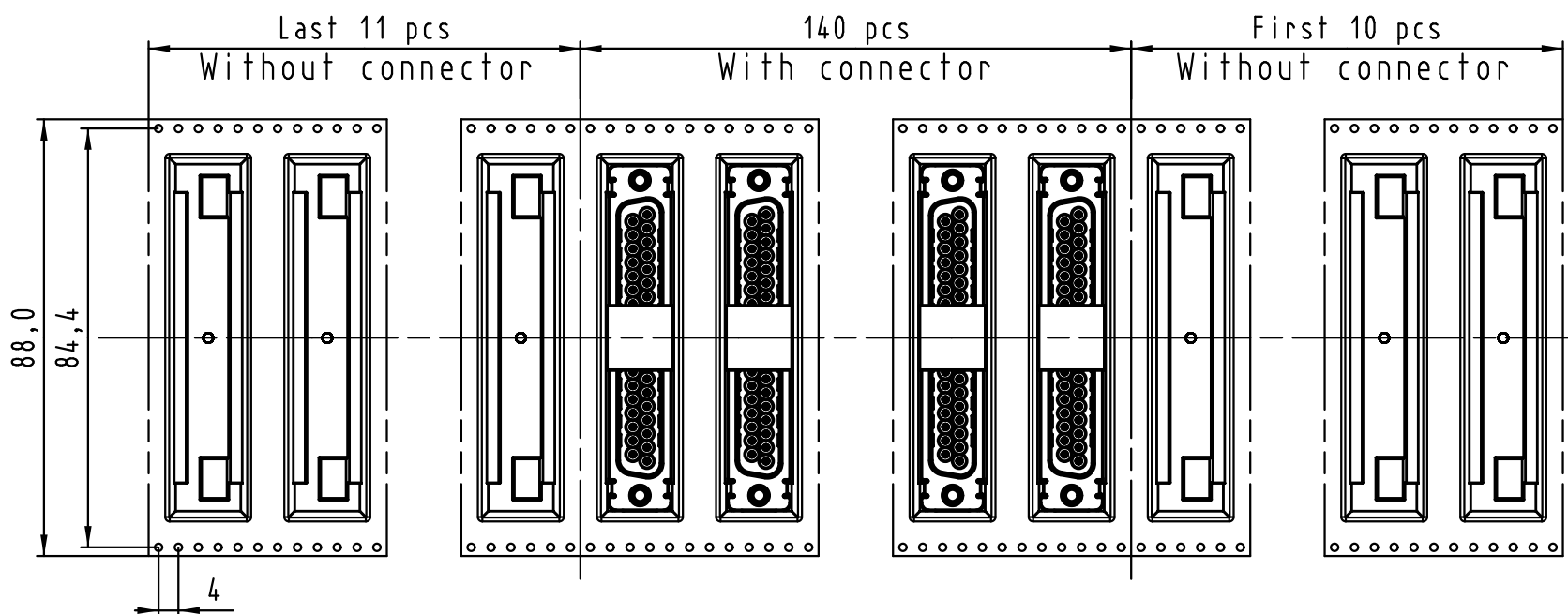
Max. Temperature: 260° during 10 seconds.

0955 469 3811 741	1	M3	Black insulator	Reel Packaging: 140 connectors (See details on page 2/2)
0955 469 3812 741	1	4-40 UNC		
0955 469 6811 741	2	M3		
0955 469 6812 741	2	4-40 UNC		
0955 469 7811 741	3	M3		
0955 469 7812 741	3	4-40 UNC		
Part number	PL	Nut	Index designation	
All Dimensions in mm Original Size DIN A 3			Free size tolerances	
Techn. Character.		Scale		D-Sub SMT, 37 poles Male, Straight with nuts and ground pins
Detail.		1.5:1		
Insp.				
Stand.				
EC04070	17-Nov-11	Johnson.S	Zhuhai HARTING Limited	
Mod.	Dat.	Name	TB 09 55 469 x81x	Page 1/2
			Sub.	

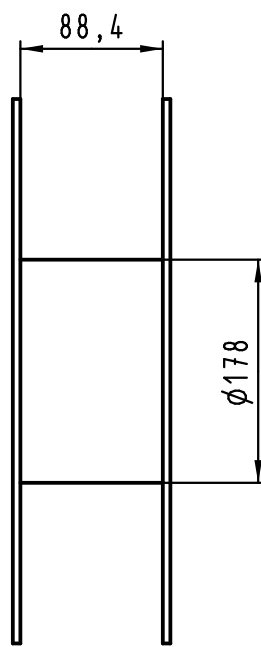
All rights reserved



Detail A



Detail A



See TB 09 55 469 x81x folio 1/2 for connector dimensions and PCB layout

Packaging in accordance with EIA 481-2.

0955 469 3811 741	1	M3	Black insulator	Reel Packaging: 140 connectors
0955 469 3812 741	1	4-40 UNC		
0955 469 6811 741	2	M3	Black insulator	Reel Packaging: 140 connectors
0955 469 6812 741	2	4-40 UNC		
0955 469 7811 741	3	M3	Black insulator	Reel Packaging: 140 connectors
0955 469 7812 741	3	4-40 UNC		
Part number	PL	Nut	Index designation	

All Dimensions in mm Original Size DIN A 3			Techn. Character.			Free size tolerances		
			Dat.		Name		Scale	
			Detail. 25-Oct-11		Johnson.S		D-Sub SMT, 37 poles Male, Straight with nuts and ground pins	
			Insp. 17-Nov-11		Steven.W			
			Stand. 17-Nov-11		Steven.W			
EC04070			17-Nov-11		Johnson.S		Zhuhai HARTING Limited	
Mod.			Dat.		Name		TB 09 55 469 x81x	
							Sub.	