

Connector - with screwless terminals, for harsh applications



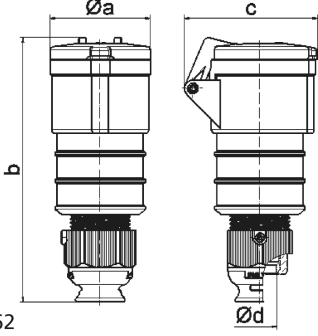
Product description	
BALS-Prd.-Nr	31779
EAN	4024941317795
Product category	Connector QUICK-CONNECT TE
Current	32A
Number of poles	4p
Poles	3P+PE
Position of earth contact	1 h

Product description	
Voltage	>50V for all other not classified voltages and/or frequencies. This time position can additionally process in special applications, in which a distinction to standardized positions needed to be used.
Protection degree	IP44
Colour code	gray RAL 7035
Colour of appliance	Hinged lid grey RAL 7035, Cable gland grey RAL 7035, Enclosure grey RAL 7035
Connection design	screwless spring-clamp Kontex
Maximum conductor size	6,0 qmm
Cable entry	Cable gland
Height	198mm
Width	66mm
Depth	91mm
Material of enclosure	Polyamide
Contact	The contact carrier is made of high temperature resistant material, the contacts are brass nickel plated

Additional technical properties	
	For cable diameter from 11 up to max. 23,5 mm, Multi-Grip cable gland with gasket, integrated cable clamp and additional water evacuation openings

Logistics data	
Weight/pcs	0.271 kg / Piece
Packaging	Bag

Logistics data	
Content amount	1 ST
EAN	4024941317795
Length	91 mm
Width	66 mm
Height	198 mm
Weight	0.272 kg
Volume	1,189.188 ccm
Packaging	Carton
Content amount	10 ST
EAN	4024941823777
Length	295 mm
Width	185 mm
Height	215 mm
Weight	2.871 kg
Volume	9,975 ccm



3 MB 62

Ampere	16	16	16	32	32	32
Polzahl	3	4	5	3	4	5
a ø	51,0	58,0	65,0	66,5	66,5	72,0
b	156,0	162,0	168,0	195,0	195,0	198,0
c	72,0	78,0	86,0	89,0	89,0	99,0
d ø	18,0	18,0	21,0	23,0	23,0	27,0
Leiter mm ² min	1	1	1	2,5	2,5	2,5
Leiter mm ² max	2,5	2,5	2,5	6	6	6