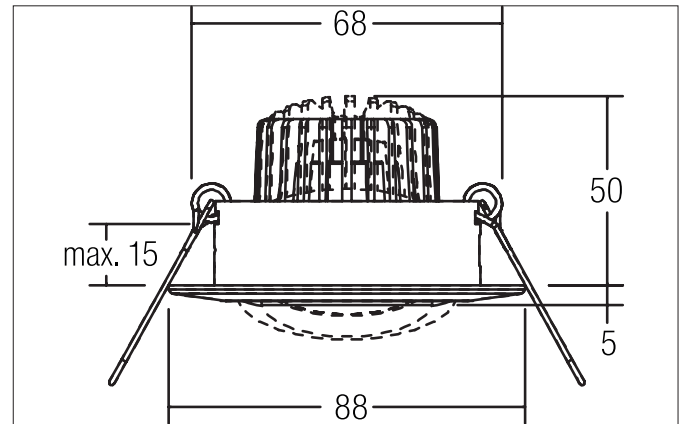
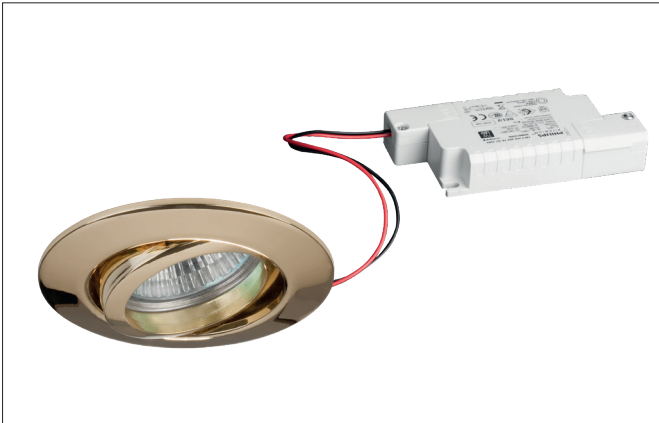


**BREENA-R LED recessed spot set, trailing-edge phase dimmable**

Article no. 39141053

Light.  
For Generations.**Tender**

LED recessed spot set, trailing-edge phase dimmable, Round. Toolless ceiling installation by installation springs. Ceiling cut-out Ø 68 mm, Installation depth 50 mm, Outer diameter 88 mm, Weight 0,301 kg, Reflector silver with rotationssymmetrical, deep, wide distributed light intensity. optimal light distribution due to a glass transparent cover. Luminous flux 680 lm, Power 1 x 6 W, System Efficiency 113 lm/W, Light colour warm white, Correlated color temperature (CCT) 3.000 K, Colour rendering index CRI > 80, Housing material: Aluminium / Glass, Permissible ambient temperature (ta): -20 °C - +25 °C, Protection class (EN 61140): II, Degree of protection (DIN EN 60529): IP20. With electronic driver, Trailing-edge phase dimmable.

| Article data       |   |
|--------------------|---|
| Article no.        | 39141053  |
| GTIN               | 4251433950752                                       |
| Series name        | BREENA-R  |
| Short description  | LED recessed spot set, trailing-edge phase dimmable |
| Material           | Aluminium / Glass                                   |
| Type of surface    | Glossy  |
| Shape              | Round   |
| Outer diameter     | 88 mm   |
| Built-in diameter  | 68 mm   |
| Installation depth | 50 mm   |
| Hight              | 5 mm  |
| Weight             | 0.301 kg  |

**BREENA-R LED recessed spot set, trailing-edge phase dimmable**

Article no. 39141053

Light.  
For Generations.

| Lighting technology |            |
|---------------------|------------|
| Colour temperature  | 3.000 K    |
| Light colour        | White      |
| Light output        | Direct     |
| Luminous flux       | 680 lm     |
| System efficiency   | 113 lm/W   |
| Colour rendering    | CRI > 80   |
| Reflector           | High-gloss |
| Reflektorfarbe      | silver     |
| Beam angle          | 38°        |
| Light sharing       | Symmetric  |

| Operating technology of the luminaire |  |
|---------------------------------------|--|
| Lamp holder                           | Plug&Play  |
| Power                                 | 6 W  |
| Voltage type                          | DC   |
| Current                               | 350 mA   |
| Lamp                                  | LED  |
| Protection class                      | III  |
| Degree of protection                  | IP20   |
| Bulb change possible                  | The light source of this luminaire may only be replaced by the manufacturer or a service technician commissioned by him or a similarly qualified person. |

| Operating technology of driver |                     |
|--------------------------------|---------------------|
| Length                         | 110 mm              |
| Width                          | 50 mm               |
| Height                         | 19 mm               |
| AC nominal voltage min         | 198 V               |
| AC nominal voltage max         | 264 V               |
| Frequenz max.                  | 50 Hz               |
| Dimmable                       | Yes                 |
| Control                        | Trailing-edge phase |
| Starting current               | 1A (15,2 µs)        |
| Power min                      | 2.8 W               |
| Power                          | 7 W                 |
| Current                        | 350 mA              |
| Degree of protection           | IP20                |
| Protection class               | II                  |
| Flickerfrei                    | Yes                 |

| Mounting technology         |   |
|-----------------------------|---|
| Mounting method             | Recessed mounting                         |
| Place of installation       | Ceiling-mounted                           |
| Adjustability               | Pivoted                                   |
| Swivel angle                | 20°                                       |
| Max. ceiling thickness      | 15 mm                                     |
| Further references          | No cover with thermal insulation material |
| Material cover              | Glass transparent                         |
| Circlip                     | Without circlip                           |
| Suitable for through-wiring | Yes, with optional accessories            |

**BREENA-R LED recessed spot set, trailing-edge phase dimmable**

Article no. 39141053

Light.  
For Generations.

| Packing data            |  |
|-------------------------|--|
| Gross weight            | 0.358 kg   |
| Length of packaging     | 100 mm   |
| Packaging width         | 100 mm   |
| Packaging height        | 100 mm   |
| Disposal at end of life | <p>This product must not be disposed of with household waste. You are obliged, to dispose of such electrical waste separately.</p> <p>By disposing of electrical waste and other old or defective electronics separately, you support recycling or other forms of re-use. In that way you help to take care and to avoid that harmful substances get into the environment.</p> |