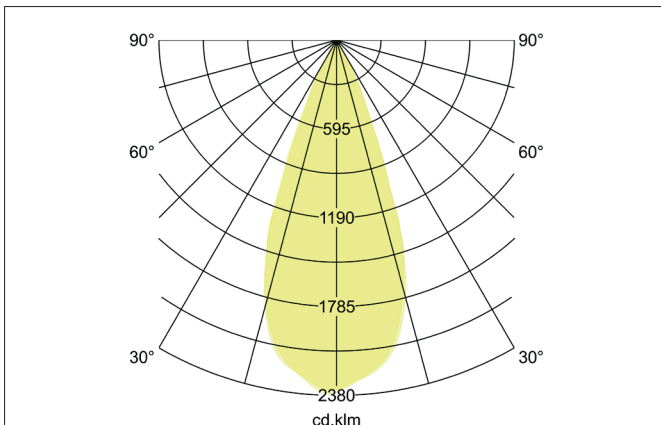
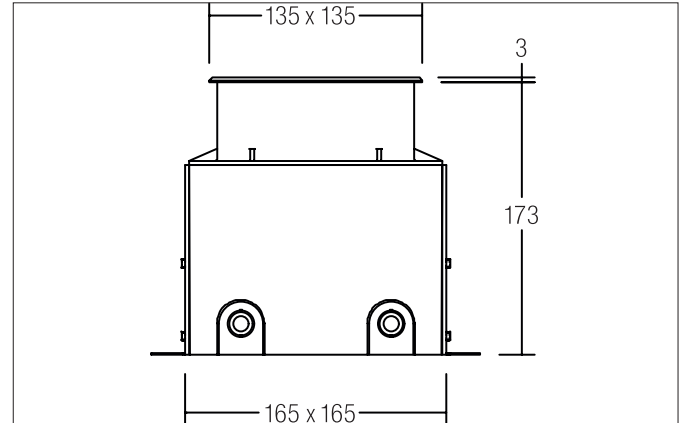


HYBRIDE LED-floor recessed light, V4A, IP67
 Article no. 14670223

Light.
 For Generations.



Tender
 LED-floor recessed light, V4A, IP67, Square. Installation opening L x W 165 x 165 mm Installation depth 173 mm, with rotationssymmetrical, deep, wide distributed light intensity. optimal light distribution due to a glass transparent cover. Luminous flux 460, lm, Power 1 x 10,8 W, System Efficiency 43 lm/W, Light colour warm white, Correlated color temprature (CCT) 3.000 K, Colour rendering index CRI > 80, Permissible ambient temperature (ta): -20 °C - +25 °C, Protection class (EN 61140): I, Degree of protection (DIN EN 60529): IP67, shock resistance according to IEC62262: IK09, Incl. converter for connection to the 230-V mains voltage, on/off, floor installation pot and 5,000 mm connecting cable., Max. load 1.000 Kg, The recessed luminaire is not suitable for installation in traffic areas. With electronic driver,

Article data	
Article no.	14670223
GTIN	4251433917274
Series name	HYBRIDE
Short description	LED-floor recessed light, V4A, IP67
Material	Stainless steel / Aluminium / Glass
Colour	Stainless steel
Shape	Square
Built-in width	165 mm
Built-in length	165 mm
Installation depth	173 mm
Length	135 mm
Width	135 mm
Scope of delivery	Incl. converter for connection to the 230-V mains voltage, on/off, floor installation pot and 5,000 mm connecting cable.
Weight	2.366 kg

HYBRIDE LED-floor recessed light, V4A, IP67

Article no. 14670223

Light.
For Generations.

Lighting technology	
Colour temperature	3.000 K
Light colour	White
Luminous flux	460 lm
System efficiency	43 lm/W
Colour rendering	CRI > 80
Reflector	Without
Beam angle	40°
Light sharing	Symmetric

Operating technology of the luminaire	
System output	10.8 W
Voltage type	AC
AC nominal voltage max	230 V
Frequenz max.	50 Hz
Lamp	LED
Protection class	I
Degree of protection	IP67
Control	on/off
Bulb change possible	The light source of this luminaire may only be replaced by the manufacturer or a service technician commissioned by him or a similarly qualified person.

Mounting technology	
Mounting method	Recessed mounting
Place of installation	Floor-mounted
Adjustability	Not adjustable
Max. load	1,000 kg
Over rollable	No
Impact resistance	IK09
Further references	V4A
Material cover	Glass transparent
Suitable for through-wiring	Yes

Packing data	
Gross weight	3.076 kg
Length of packaging	300 mm
Packaging width	300 mm
Packaging height	180 mm
Disposal at end of life	This product must not be disposed of with household waste. You are obliged, to dispose of such electrical waste separately. By disposing of electrical waste and other old or defective electronics separately, you support recycling or other forms of re-use. In that way you help to take care and to avoid that harmful substances get into the environment.