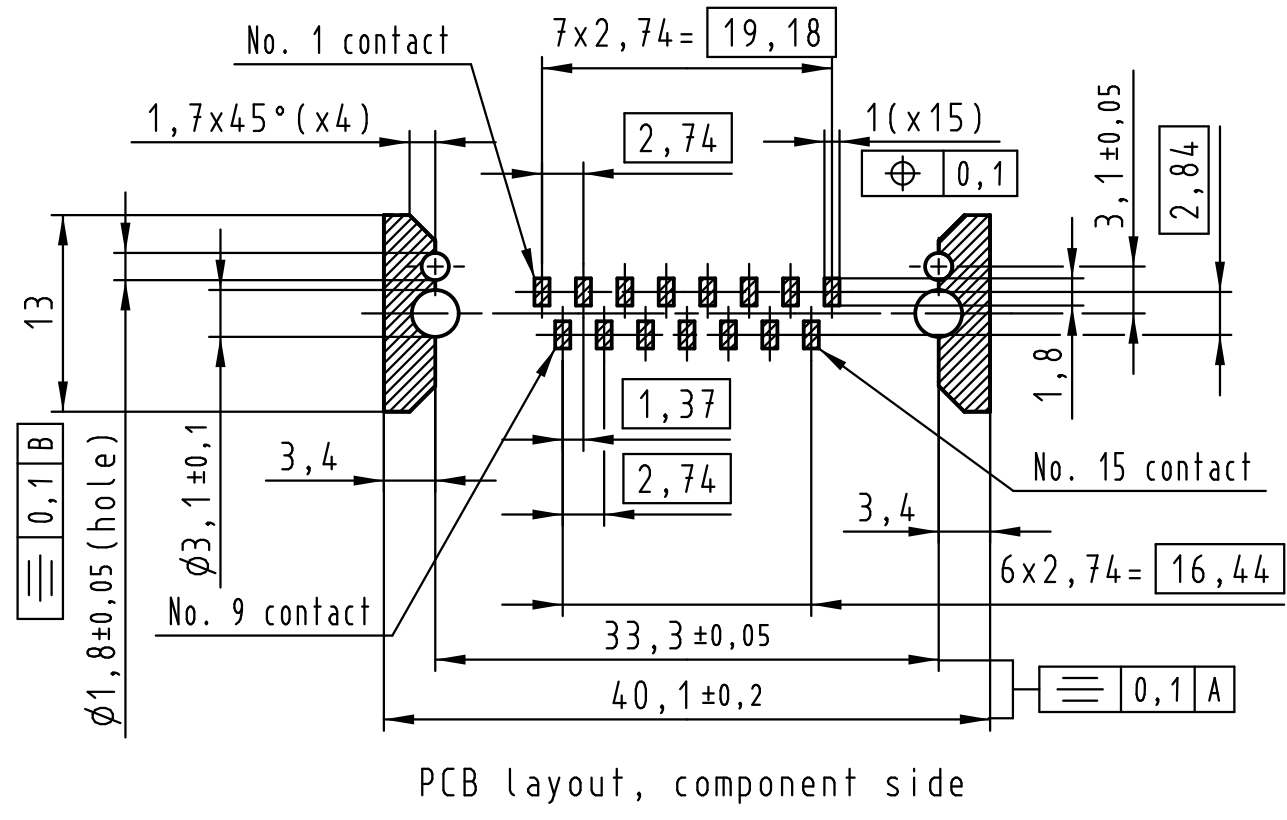
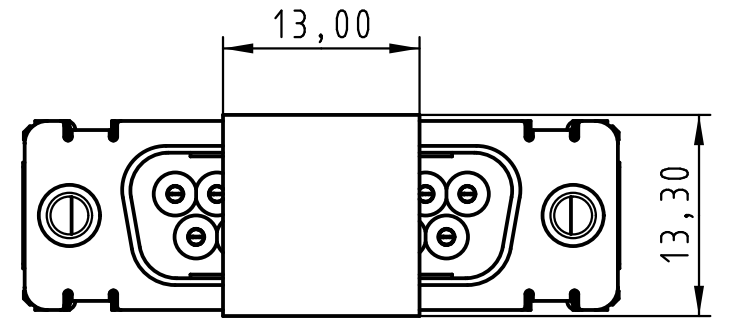
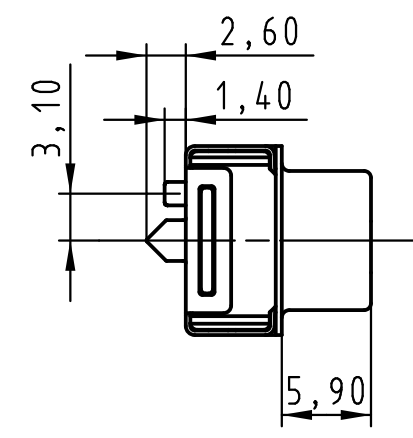
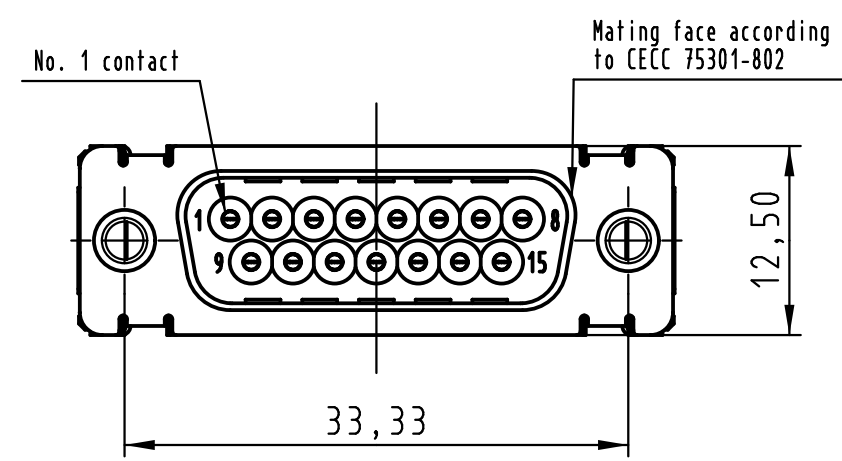
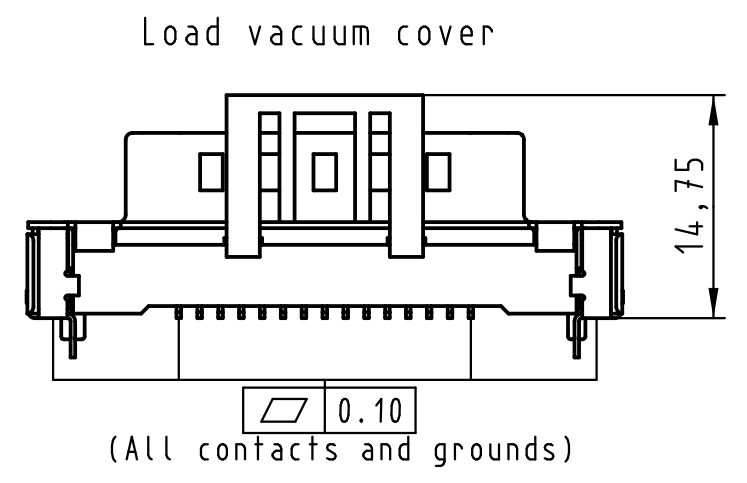
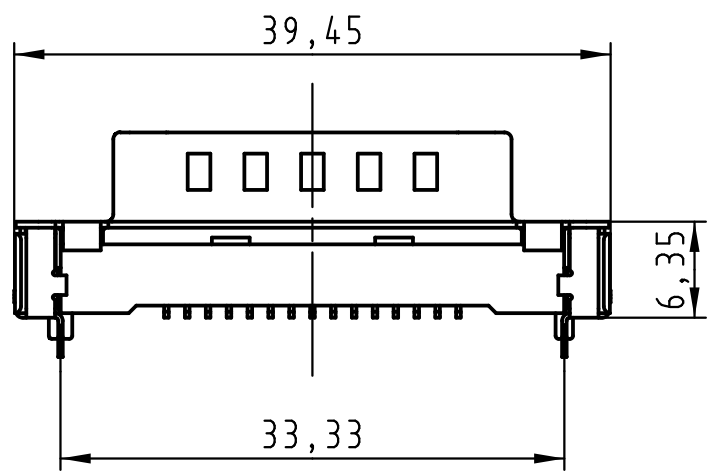


All rights reserved



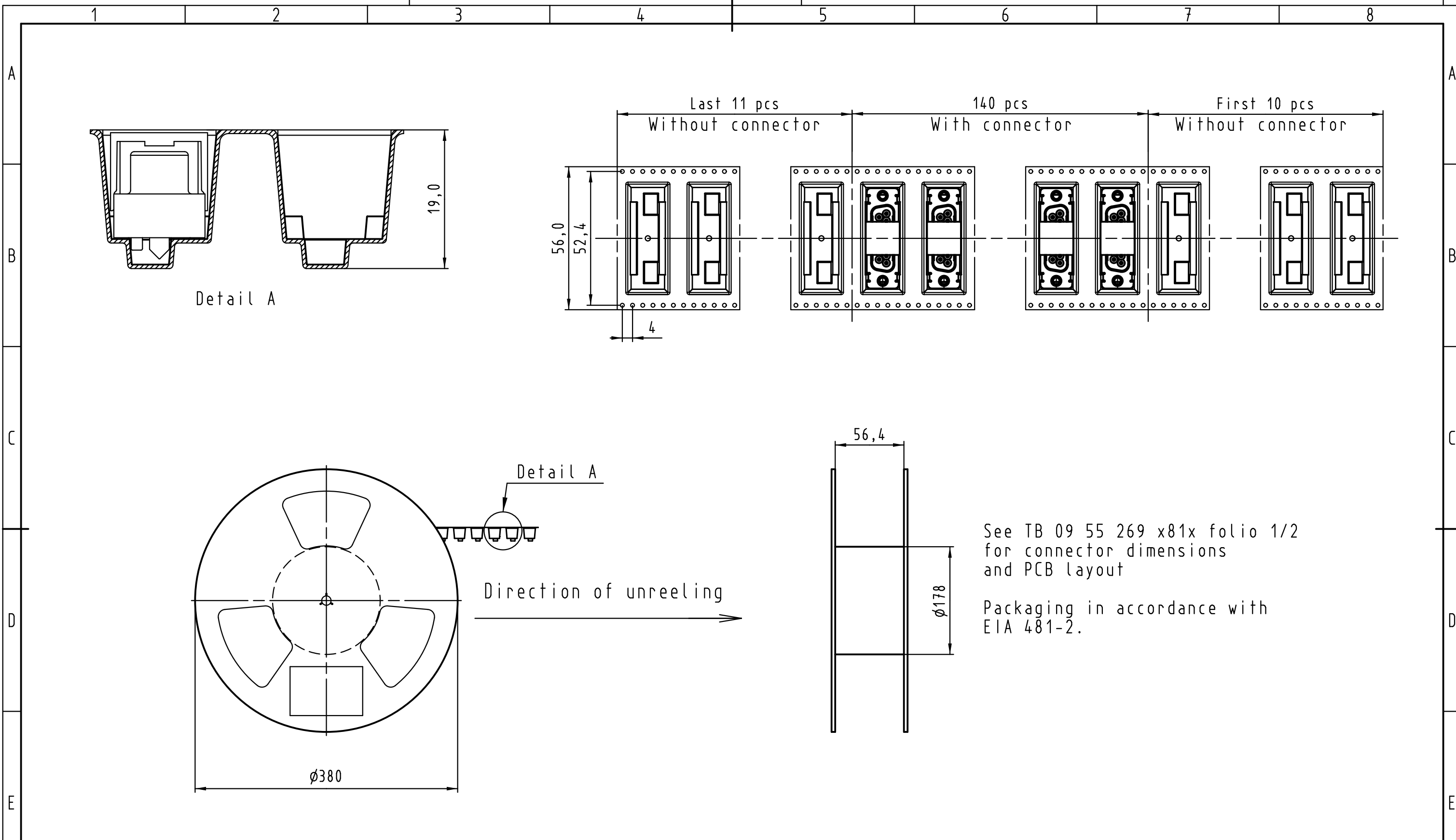
Max. Temperature: 260° during 10 seconds.

0955 269 3811 741	1	M3
0955 269 3812 741	1	4-40 UNC
0955 269 6811 741	2	M3
0955 269 6812 741	2	4-40 UNC
0955 269 7811 741	3	M3
0955 269 7812 741	3	4-40 UNC

Black insulator	Reel Packaging: 140 connectors (See details on page2/2)
-----------------	---

Part number	PL	Nut	Index designation
All Dimensions in mm Original Size DIN A 3			Free size tolerances
Techn. Character.		Scale 2:1	D-Sub SMT, 15 poles Male, Straight with nuts and ground pins
Detail.	Dat. 25-Oct-11 Johnson.S		
Insp.	17-Nov-11 Steven.W		
Stand.	17-Nov-11 Steven.W		
EC04070	17-Nov-11	Johnson.S	Zhuhai HARTING Limited
Mod.	Dat.	Name	TB 09 55 269 x81x
			Page 1/2

All rights reserved



See TB 09 55 269 x81x folio 1/2 for connector dimensions and PCB layout

Packaging in accordance with EIA 481-2.

0955 269 3811 741	1	M3	Black insulator	Reel Packaging: 140 connectors
0955 269 3812 741	1	4-40 UNC		
0955 269 6811 741	2	M3		
0955 269 6812 741	2	4-40 UNC		
0955 269 7811 741	3	M3		
0955 269 7812 741	3	4-40 UNC		
Part number	PL	Nut	Index designation	

All Dimensions in mm Original Size DIN A 3			Techn. Character.			Free size tolerances		
						D-Sub SMT, 15 poles Male, Straight with nuts and ground pins		
EC04070	17-Nov-11	Johnson.S	Zhuhai HARTING Limited					TB 09 55 269 x81x
Mod.	Dat.	Name				Sub.		Page 2 / 2