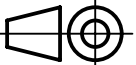



wire gauge: 0,08-0,56mm<sup>2</sup>, AWG 28-20  
stripping length: 4mm

Coating gold plated	A=	mm <sup>2</sup>	V=	mm <sup>3</sup>	m=	g	Mat.
	All Dimensions in mm Original Size DIN A4		Scale 10:1	Free size tol.			Ref.
	All rights reserved Department EL PD		Created by DYCKC	Inspected by GRUBES	Standardisation TIEMANNA	Date 2019-07-19	State Final Release
HARTING Electric GmbH & Co. KG D-32339 Espelkamp			Title M23 male-c 1mm (0,08 - 0,56mm <sup>2</sup> ) Au			Doc-Key / ECM-Nr. 100709065/UGD/000/B 500000154987	
			Type TB	Number 09 15 100 6101			Rev. B Page 1/1