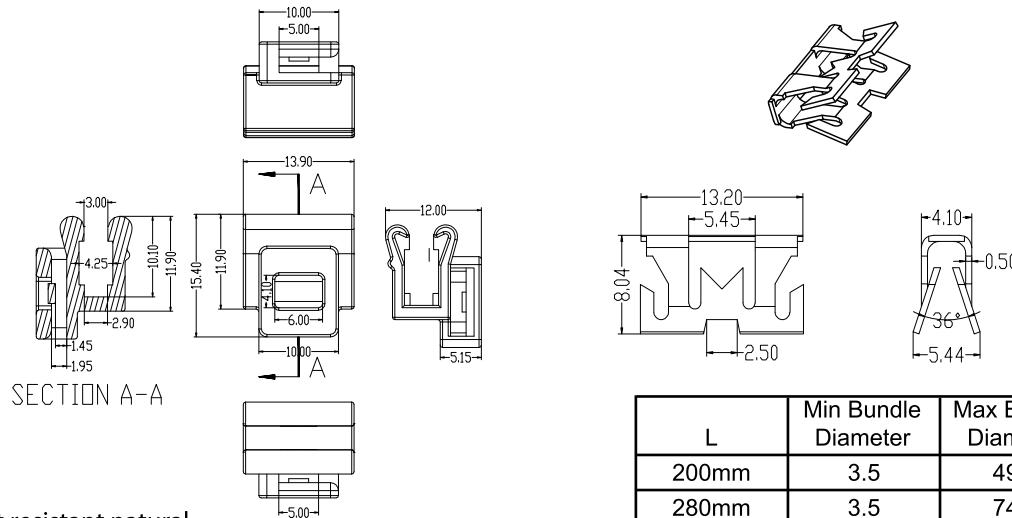
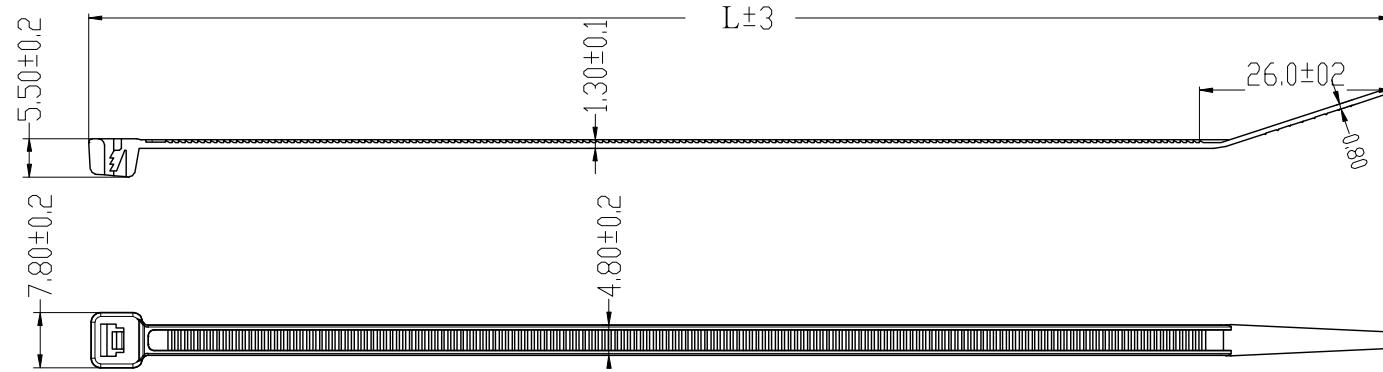


Tolerance unspecified  
mm (inch)  
X.XXX ±0.1 (0.004)  
X.XX ±0.25 (0.010)  
X.X ±0.5 (0.02)  
X. ±1.0 (0.04)  
ANGULAR ± 2°

3.2



L	Min Bundle Diameter	Max Bundle Diameter	Tensile strength
200mm	3.5	49.5	23 kgs
280mm	3.5	74.8	23 kgs
360mm	3.5	100	23 kgs

- MATERIAL Natural: Polyamide 6.6 heat resistant natural
- MATERIAL Black: Polyamide 6.6 heat resistant UV Black
- Flammability of raw material : UL 94 - V2
- Humidity absorption: 2,7% - 2,8% (23° C - 50% R.H.)
- Installation temperature: -10° C ÷ +85° C
- Working temperature: -40° C ÷ +85° C
- Max sustainable temperature for short time: +110° C
- Good resistance to bases, oils, greases, oil derivates, chloride solvents. Limited resistance to acids. Not resistant to phenols.
- Carbon black addition gives a better UV resistance
- comply with UL62275, and EN62275

Rev	Qty	Rev number	Sign	Date	
Authorization		Standard	Checked	Design	
Aral Y		Aral Y	LIU MZ	Fanka	

PRODUCT DRAWING				
Step	Qty	Weight	Ratio	
	1			
		UNIT:MM		
		Total page: 1		page: 1

Edge Clip Cable Ties