

Panel mounting socket outlet, straight - flange 107x100 fixing centers 85x77

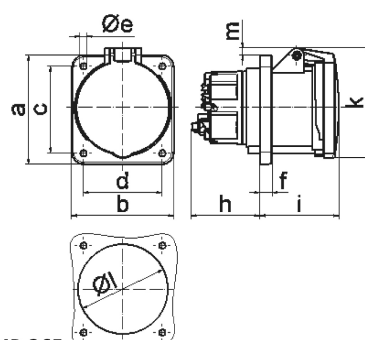


Product description	
BALS-Prd.-Nr	130279
EAN	4024941938983
Product category	TE panel mounting socket outlet, straight
Current	63A
Number of poles	5p
Arrangement of phases	3p+N+PE
Position of earth contact	1 h

Product description	
Voltage	> 50V for all other not classified voltages and/or frequencies. This time position can additionally process in special applications, in which a distinction to standardized positions needed to be used.
Protection degree	IP44
Colour code	gray RAL 7035
Colour of appliance	Hinged lid grey RAL 7035, Enclosure grey RAL 7035
Connection design	screw terminal as box terminal with Kontex-contact
Maximum conductor size	25.0 qmm
Cable entry	other
Height	114mm
Width	100mm
Depth	134mm
Flange size vertical in mm	107mm
Flange size horizontal in mm	100mm
Drill hole dist. vertical mm	85mm
Drill hole dist. horizontal mm	77mm
Material of enclosure	Polyamide
Contacts	The contact carrier is made of high temperature resistant material, the contacts are brass nickel plated

Logistics data	
Weight/pcs	0.53 kg / Piece
Packaging	Bag

Logistics data	
Content amount	1 ST
EAN	4024941938983
Length	134 mm
Width	100 mm
Height	114 mm
Weight	0.531 kg
Volume	1,527.6 ccm
Packaging	Carton
Content amount	5 ST
EAN	4024941836173
Length	295 mm
Width	185 mm
Height	215 mm
Weight	2.814 kg
Volume	9,975 ccm



4 MB 265

Ampere	63	63				
Polzahl	4	5				
a	107,0	107,0				
b	100,0	100,0				
c	85,0	85,0				
d	77,0	77,0				
e ø	6,5	6,5				
f	12,0	12,0				
h	67,0	67,0				
i	77,0	77,0				
k	110,0	110,0				
l ø	88,0	88,0				
m	7,0	7,0				
Leiter mm ² min	6	6				
Leiter mm ² max	25	25				