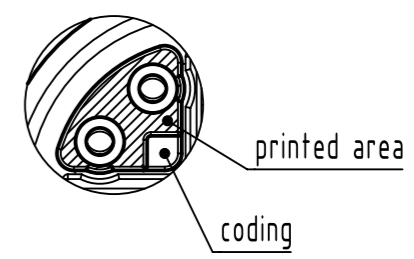
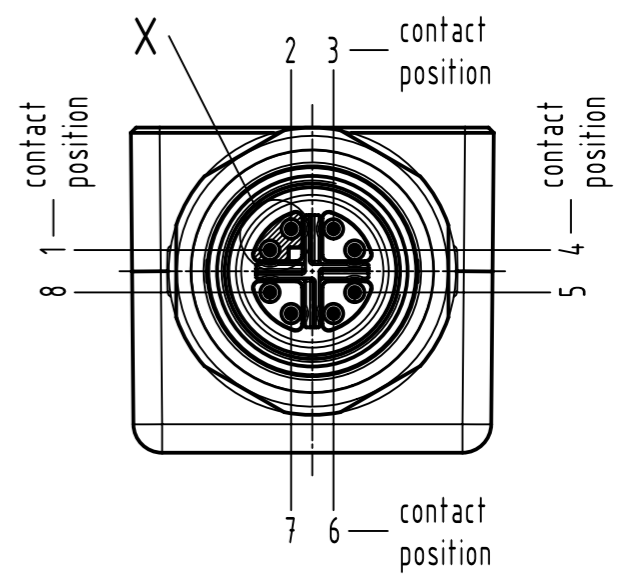


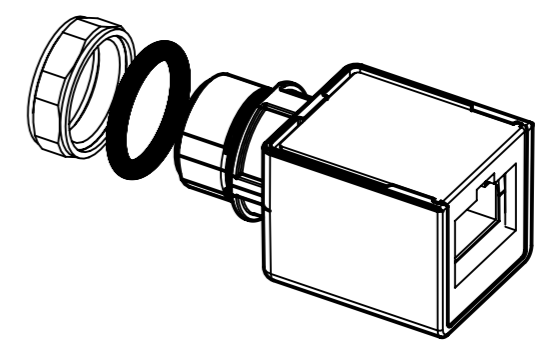
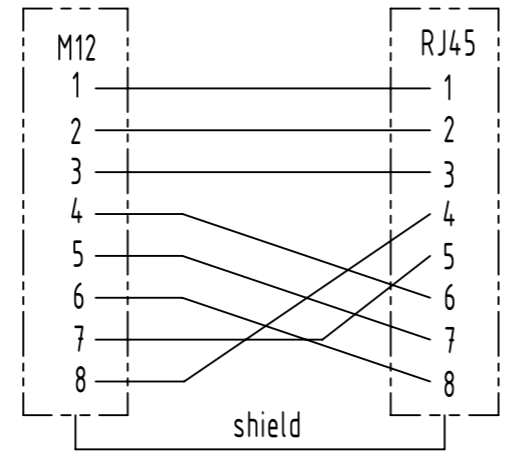
X (5:1)



contact face acc. to IEC 61076-2-109



circuit diagram



	All rights reserved		Created by 105120		Inspected by HASSEBROCKS		Standardisation		Date 2023-07-14		State Final Release	
	Department EL PD		Title har-speed adapter M12-RJ45, straight		Type TB		Number 21033812800		Doc-Key / ECM-Nr. 100230266/UGD/007/M 50000249912		Rev. M Page 1/1	
All Dimensions in mm Original Size DIN A3			Scale 2:1		Free size tol.		Ref.		Sub.			
HARTING D-32339 Espelkamp												