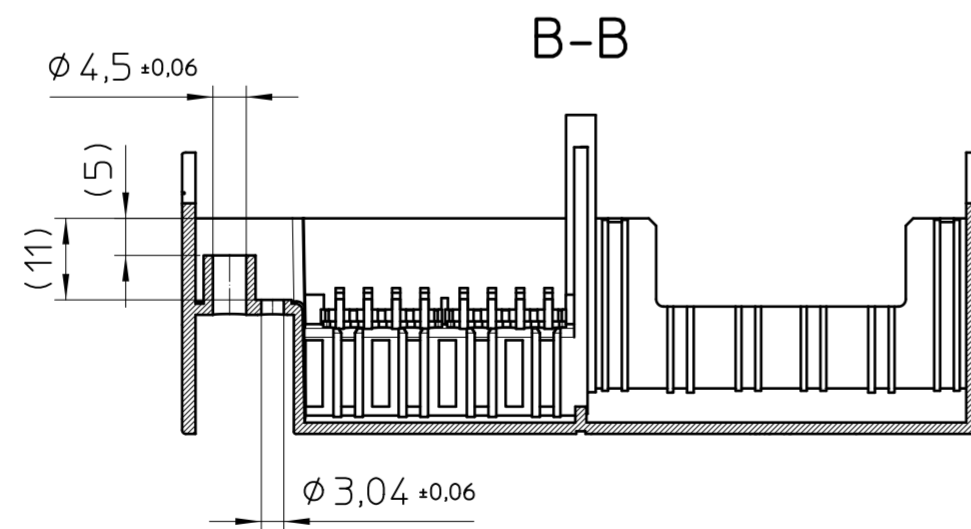
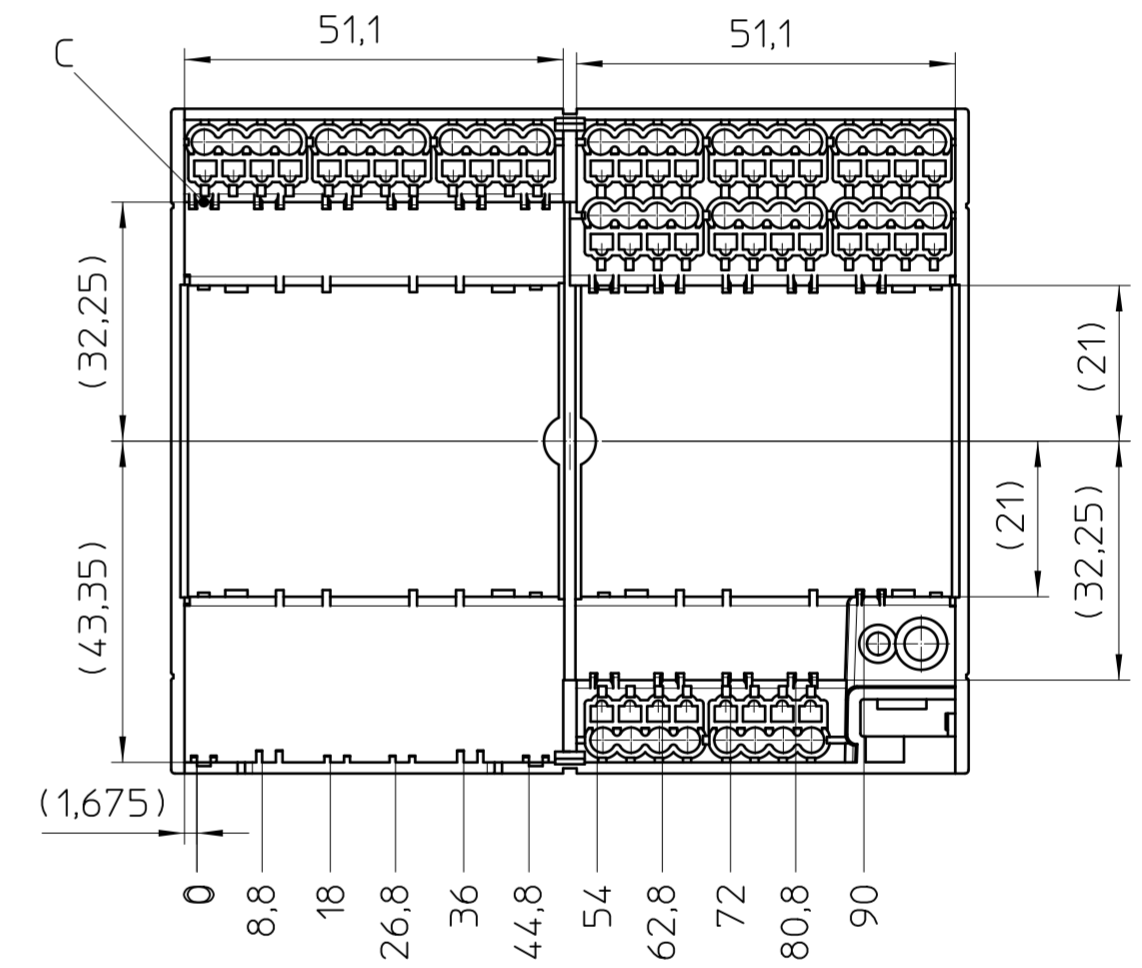
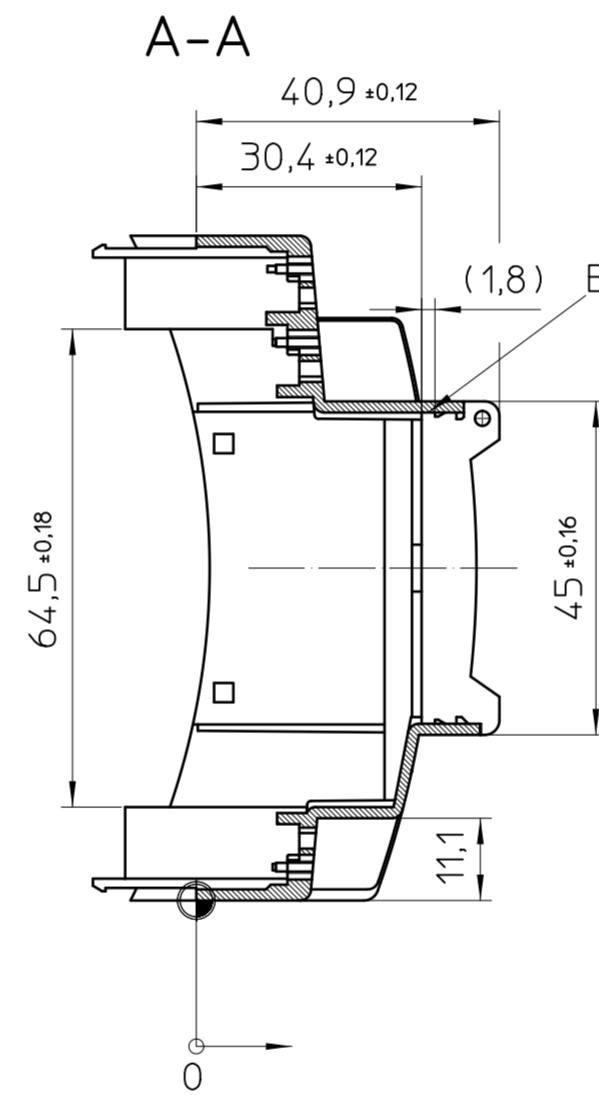
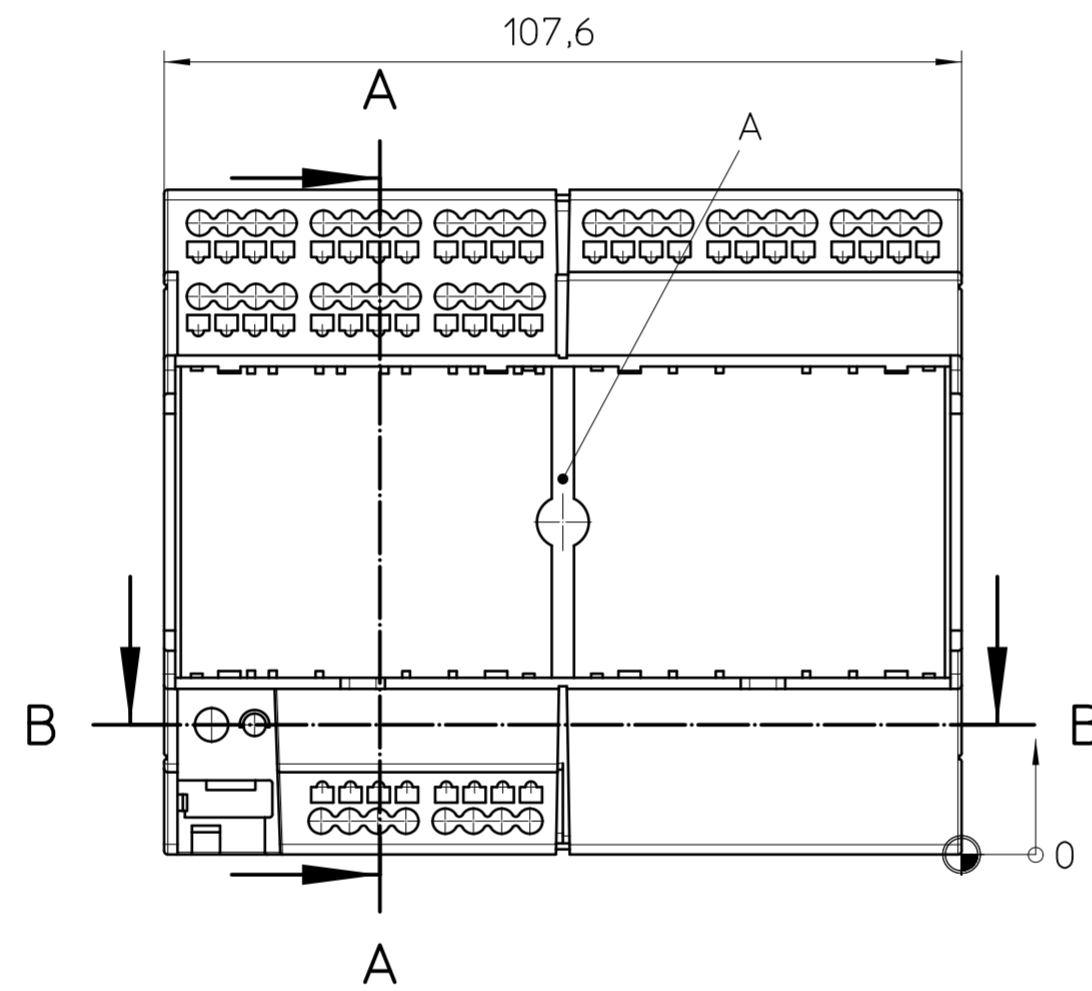
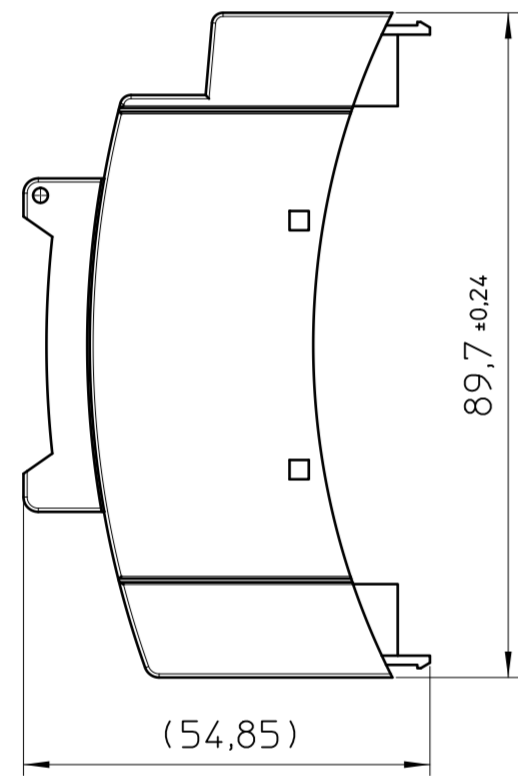
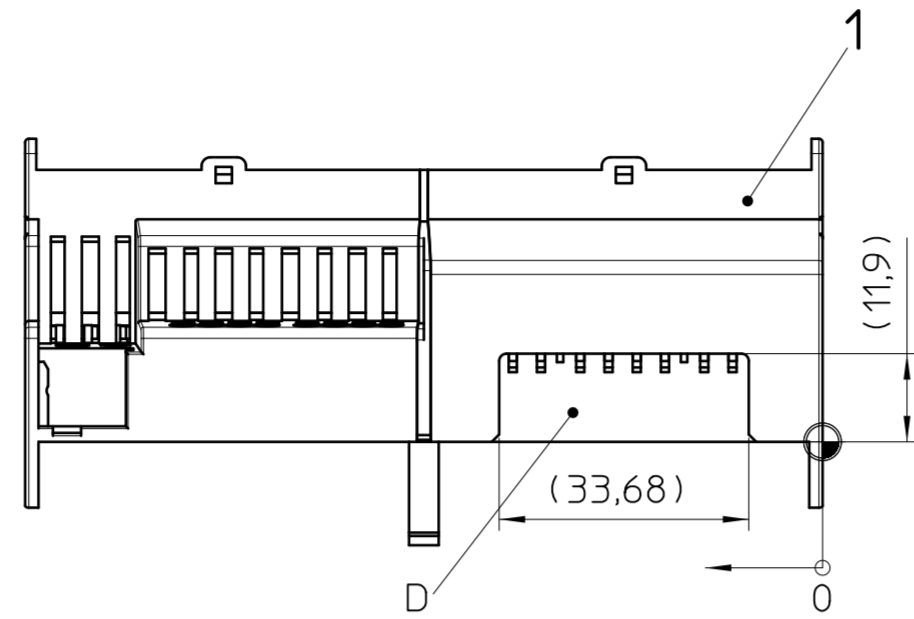
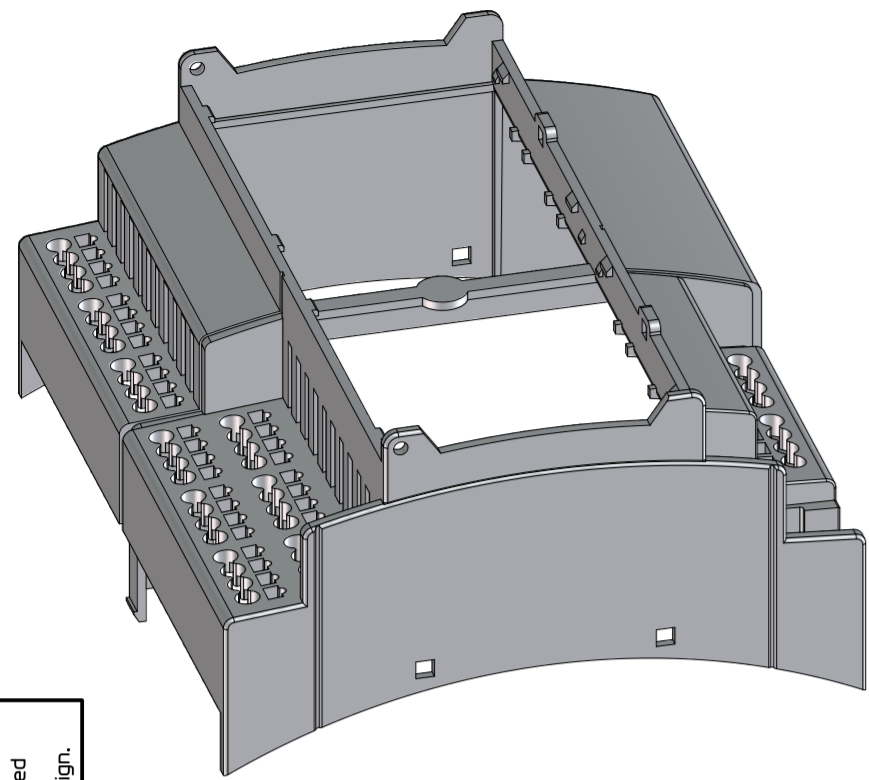


HOUSING UPPER PART



General Information:

- Tolerances apply in a normal climate according to DIN EN ISO 291-23/50-2
- Workpiece zero point for mechanical processing
- Tolerances for mechanical processing are ISO 2768-mK
- Tolerances for printing DIN ISO 2768-m
- Machining radii min. R1, further on request
- Web: www.phoenixcontact.com webcode: #0311

Additional information:

- A. If PCB 7+8 used, the fin has to be removed
- B. Position PCB 9 or position plate
- C. PCB guidance for vertical PCB 11
- D. Milling for RJ45-Jack

Transfer or duplication of this document as well as the utilisation or communication of its content are not permitted unless express consent is granted. Violations give rise to claims for damages. All rights reserved in case of patent, utility model or design patent registrations. Tolerance specifications do not include clearances inherent in the design.

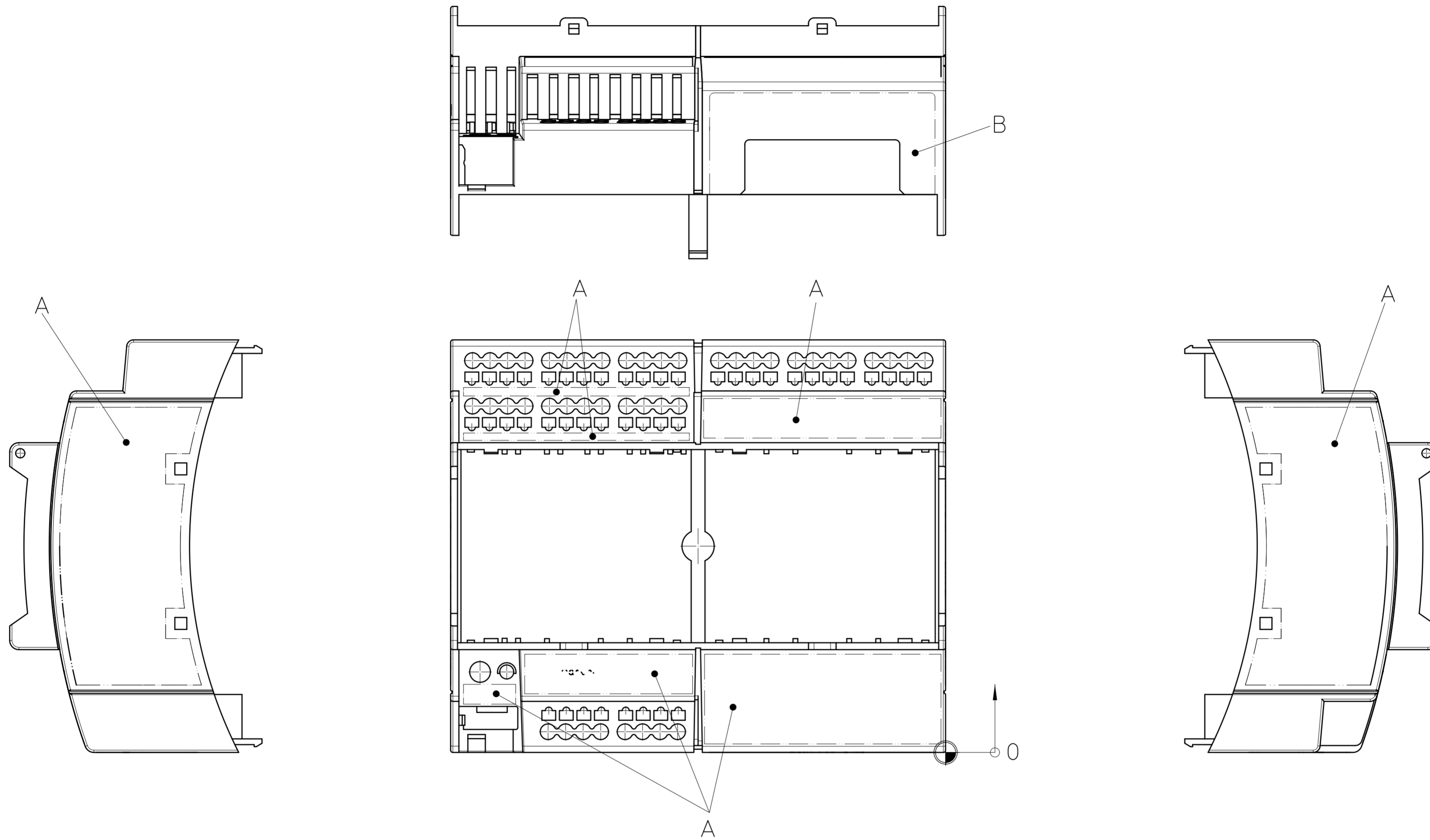
Weitergabe sowie Vervielfältigung dieses Dokuments, Verwertung und Mitteilung seines Inhalts sind verboten, soweit nicht ausdrücklich gestattet. Zuwiderhandlungen verpflichten zu Schadensersatz. Alle Rechte für den Fall der Patent-, Gebrauchsmuster- oder Designeintragung vorbehalten. Bauabfertigungsspiel ist in den Toleranzangaben nicht berücksichtigt.

| Pos. | QTY | Description | Material |
|------|-----|--------------------|----------|
| 1 | 1 | HOUSING UPPER PART | PC |


| | | | | |
|-------------|---------------------------|--------------------------|-------|--|
| | document-no. / ri | article-no. | scale | - Simplified representation - Document excluded from change process - Linear dimensions (mm) |
| | 01430265 / 02 | 1340863 | 1:1 | |
| | date | document-type | | |
| | 04.02.2025 | TECDOC_2D_Productdrawing | | |
| description | BC 107,6 OT 1D1K1P0R KMGY | | | |
| page 1 | of 3 | | | |

Transfer or duplication of this document as well as the utilisation or communication of its content are not permitted unless express consent is granted. Violations give rise to claims for damages. All rights reserved in case of patent, utility model or design patent registrations. Tolerance specifications do not include clearances inherent in the design.

Weitergabe sowie Vervielfältigung dieses Dokuments, Verwertung und Mitteilung seines Inhalts sind verboten, soweit nicht ausdrücklich gestattet. Zuwiderhandlungen verpflichten zu Schadenersatz. Alle Rechte für den Fall der Patent-, Gebrauchsmuster- oder Designeintragung vorbehalten. Bauartbedingtes Spiel ist in den Toleranzangaben nicht berücksichtigt.





General Information:

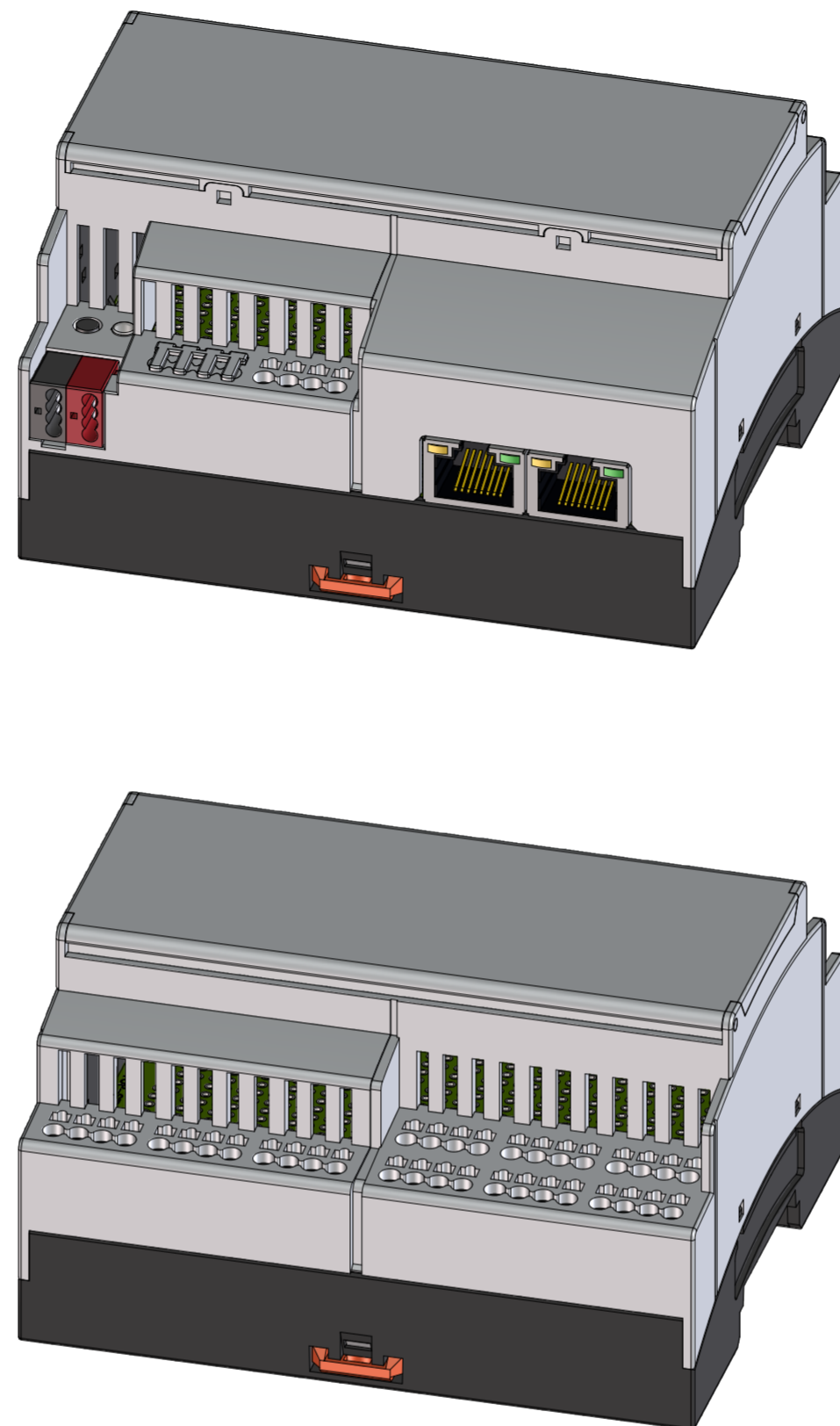
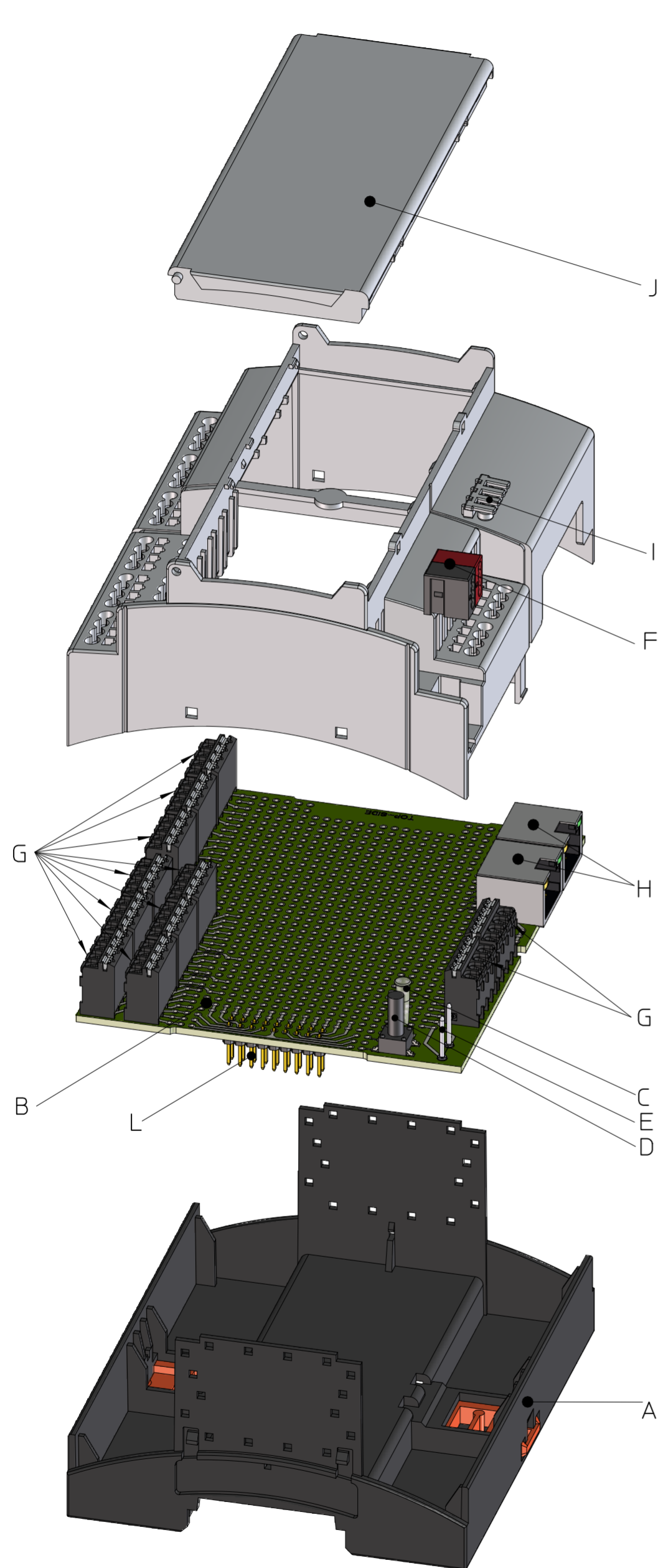
- Simplified representation
- Document excluded from change process
- Units are in millimeters [mm] and degrees [°]
- Tolerances apply in a normal climate according to DIN EN ISO 291-23/50-2
-  Workpiece zero point for mechanical processing
- Tolerances for mechanical processing are ISO 2768-mK
- Tolerances for printing DIN ISO 2768-m
- Machining radii min. R1, further on request
- Web: www.phoenixcontact.com webcode: #0311

Additional information:

- A. Max. marking area left and right for pad printing and laser printing
- B. Machining area

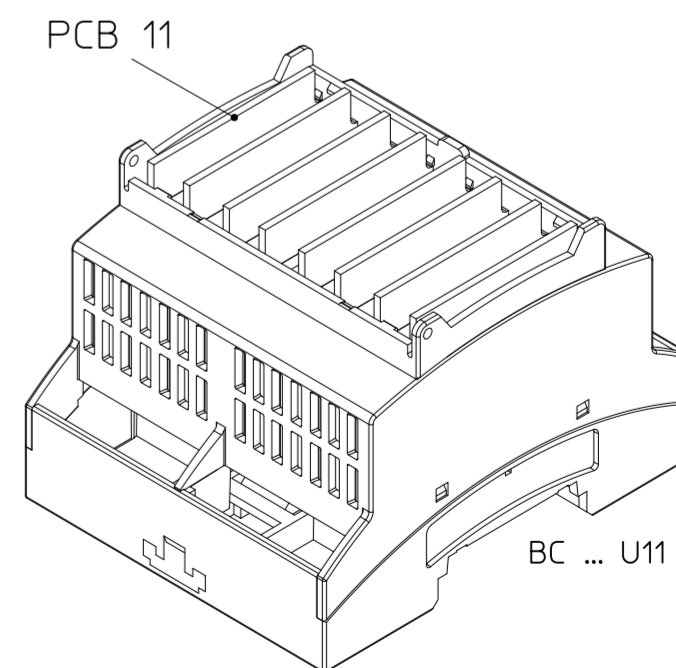
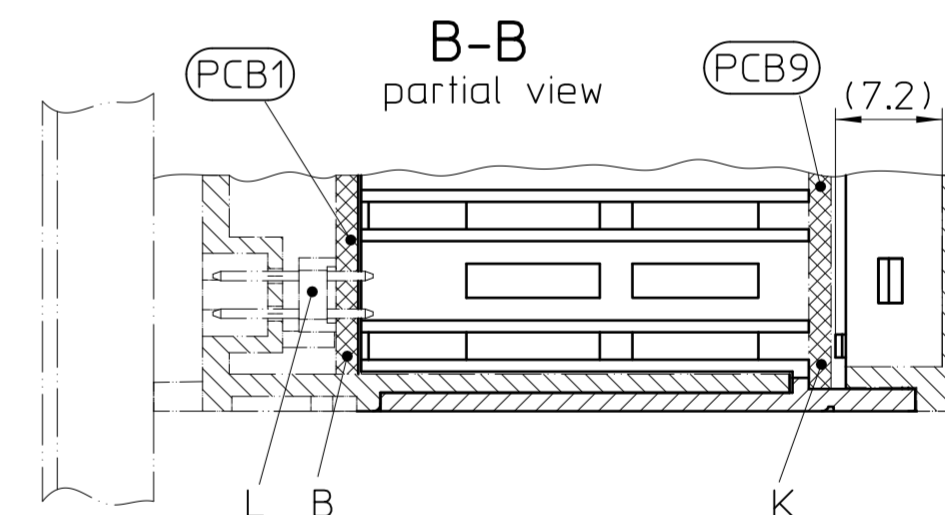
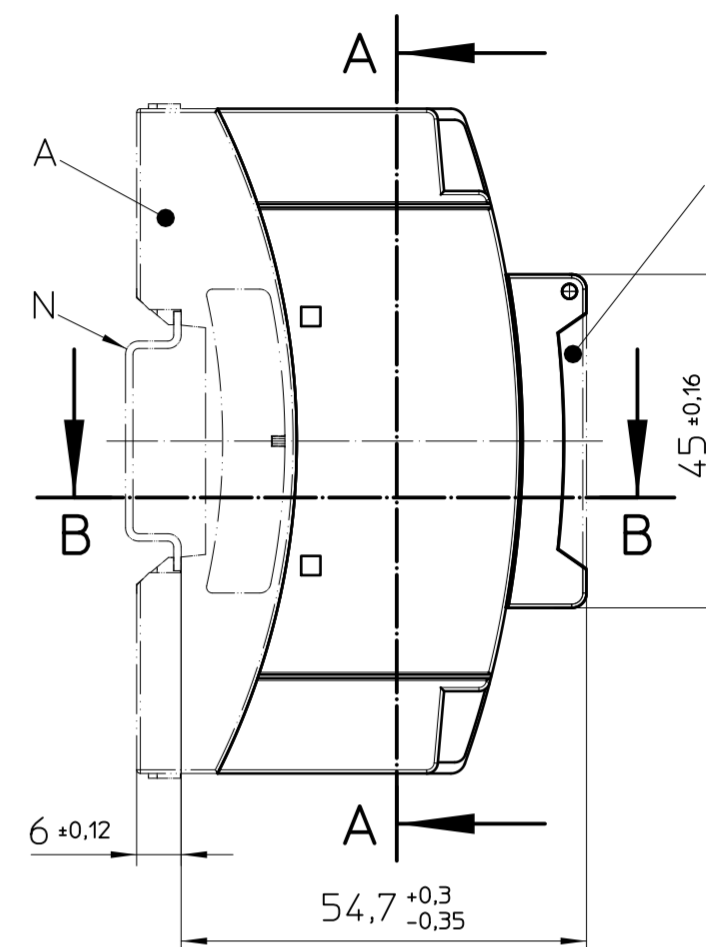
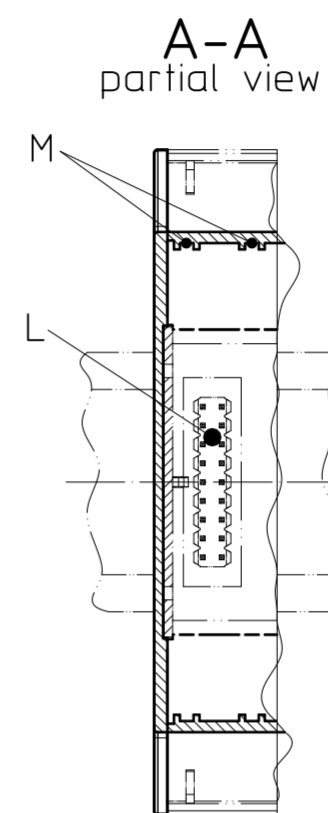
| | | | | |
|---|-------------------|--------------------------|---------------------------|--|
|  DIN A3  | document-no. / ri | article-no. | scale | <ul style="list-style-type: none"> - Simplified representation - Document excluded from change process - Linear dimensions [mm] |
| | 01430265 / 02 | 1340863 | 1:1 | |
| page 2 of 3 | date | document-type | description | |
| | 04.02.2025 | TECDOC 2D_Productdrawing | BC 107,6 OT 1D1K1P0R KMGY | |

Assembly example



- Additional information:
- A. Housing lower part
 - B. PCB 1 (main PCB)
 - C. Light conductor
 - D. Button
 - E. Pins for KNX terminal
 - F. KNX terminal
 - G. PCB terminal block SPT-THR 4-pin
 - H. RJ45-Jack
 - I. Filler plug
 - J. Cover
 - K. Position PCB 9 or position plate
 - L. Header for HBUS (PSTD 0,65X0,65/9-2,54)
 - M. PCB guidance for vertical PCB 11
 - N. Mounting rail like EN 60715: TH 35-7,5 or mounting rail TH 35-15x1,5 similar to EN 60715

Overall dimensions compliant DIN 43880



Weitergabe sowie Vervielfältigung dieses Dokuments, Verwertung und Mitteilung seines Inhalts sind verboten, soweit nicht ausdrücklich gestattet. Zuwiderhandlungen verpflichten zu Schadensersatz. Alle Rechte für den Fall der Patent-, Gebrauchsmuster- oder Designeintragung vorbehalten. Bauartbedingtes Spiel ist in den Toleranzangaben nicht berücksichtigt.

Transfer or duplication of this document as well as the utilisation or communication of its content are not permitted unless express consent is granted. Violations give rise to claims for damages. All rights reserved in case of patent, utility model or design patent registrations. Tolerance specifications do not include clearances inherent in the design.

| | | | | |
|-------------|---------------------------|--------------------------|-------|--|
| | document-no. / ri | article-no. | scale | - Simplified representation - Document excluded from change process - Linear dimensions (mm) |
| | 01430265 / 02 | 1340863 | 1:1 | |
| | date | document-type | | |
| | 04.02.2025 | TECDOC 2D_Productdrawing | | |
| description | BC 107,6 OT 1D1K1P0R KMGY | | | |
| page 3 | of 3 | | | |