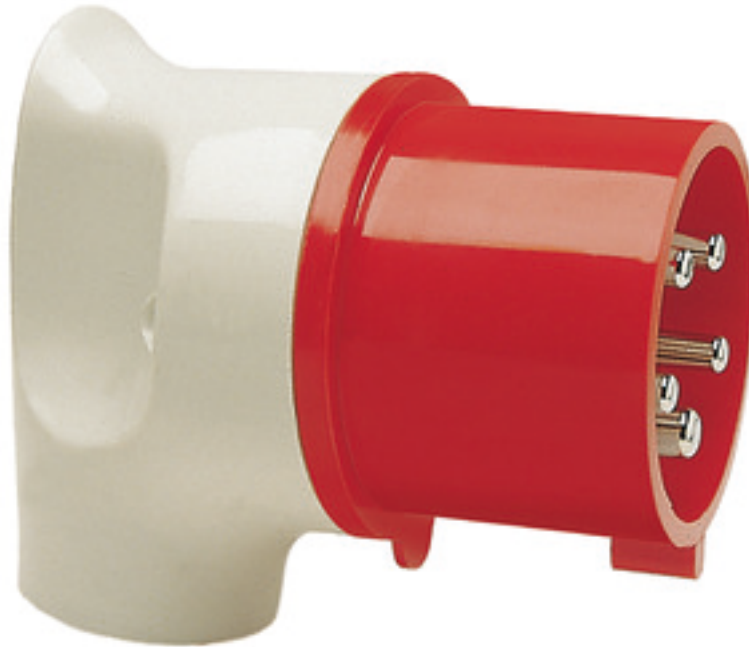


Angled plug - with inward-curving cable sleeve



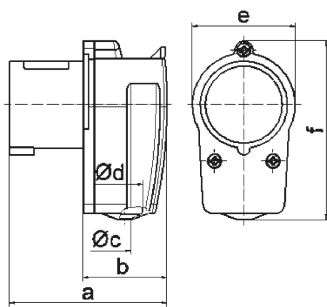
Product description	
BALS-Prd.-Nr	2300-BE
EAN	4024941945660
Product category	Angled plug
Current	32A
Number of poles	5p
Poles	3p+N+PE
Position of earth contact	6 h
Voltage	200/346 up to 240/415V
Frequency	50 and 60Hz

Product description	
Protection degree	IP44
Colour code	red RAL 3000
Connection design	with screw terminal
Maximum conductor size	6,0 qmm
Cable entry	Anti-kink sleeve
Height	101mm
Depth	116mm
Material of enclosure	Polyamide
Contact	The contact carrier is made of polyamide, the contacts are brass nickel plated

Additional technical properties	
	With internal cable sleeve

Logistics data	
Weight/pcs	0.24 kg / Piece
Packaging	Bag
Content amount	1 ST
EAN	4024941945660
Length	116 mm
Height	101 mm
Weight	0.241 kg

Logistics data	
Packaging	Carton
Content amount	10 ST
EAN	4024941945677
Length	295 mm
Width	185 mm
Height	215 mm
Weight	2.564 kg
Volume	9,975 ccm



2 MB 12

Ampere	16	16	16	32			
Polzahl	3	4	5	5			
a	80,0	85,0	96,0	116,0			
b	44,0	49,0	59,0	70,0			
c ø	6,5	6,5	8,0	10,0			
d ø	18,0	18,0	18,0	25,0			
e	51,0	57,0	64,0	-			
f	90,0	95,0	74,0	101,0			
Leiter mm ² min	1	1	1	2,5			
Leiter mm ² max	2,5	2,5	2,5	6			