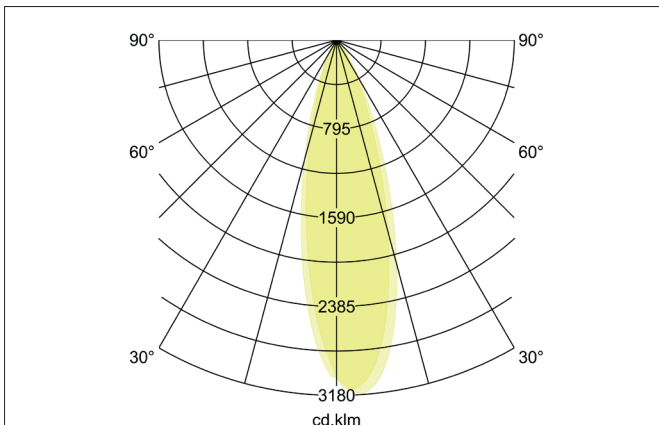
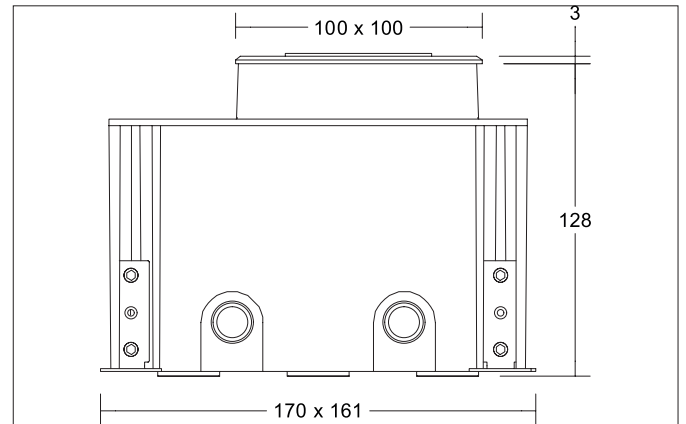


LANKO-S LED recessed floor light, V4A, IP67, switchable

Article no. 14694083

Light.
For Generations.**Tender**

LED recessed floor light, V4A, IP67, switchable, Angular. Ceiling cut-out L x W 161 x 170 mm, Installation depth 128 mm, Length 100 mm, Width 100 mm, Weight 1,085 kg, with rotationssymmetrical, deep, wide distributed light intensity. optimal light distribution due to a glass transparent cover. Luminous flux 460 lm, Power 1 x 4 W, Light colour warm white, Correlated color temperature (CCT) 3.000 K, Colour rendering index CRI > 80, , Colour: Black, Permissible ambient temperature (ta): -20 to +45°C, Protection class (EN 61140): I, Degree of protection (DIN EN 60529): IP67, shock resistance according to IEC62262: IK08 .With electronic driver, on/off switchable.

Article data	
Article no.	14694083
GTIN	4255752501510
Series name	LANKO-S
Short description	LED recessed floor light, V4A, IP67, switchable
Colour	Black
Shape	Angular
Built-in width	170 mm
Built-in length	161 mm
Installation depth	128 mm
Length	100 mm
Width	100 mm
Scope of delivery	inkl. Konverter zum Anschluss an 230 V-Netzspannung, schaltbar, Bodeneinbautopf und 5.000 mm Anschlussleitung.
Weight	1.085 kg

LANKO-S LED recessed floor light, V4A, IP67, switchable

Article no. 14694083

Light.
For Generations.

Lighting technology	
Colour temperature	3.000 K
Light colour	White
Light output	Direct
Luminous flux	460 lm
System efficiency	115 lm/W
Colour rendering	CRI > 80
Beam angle	30°
Light sharing	Symmetric
Adjustable color temperature	No

Operating technology of the luminaire	
System output	4 W
Voltage type	AC
AC nominal voltage max	230 V
Frequency max	50 Hz
Lamp	LED
Lamp holder	Without fitting
Protection class	I
Degree of protection	IP67
Ambient temperature	-20 bis +45°C
Dimmable	No
Control	on/off
Bulb change possible	The light source of this luminaire may only be replaced by the manufacturer or a service technician commissioned by him or a similarly qualified person.

Mounting technology	
Mounting method	Recessed mounting
Place of installation	Floor-mounted
Adjustability	Pivoted
Swivel angle	30°
Max. load	1,000 kg
Over rollable	No
Impact resistance	IK08
Material cover	Glass transparent
Circlip	Without circlip
Suitable for through-wiring	Yes

Packing data	
Gross weight	1.3 kg
Length of packaging	205 mm
Packaging width	205 mm
Packaging height	160 mm
Disposal at end of life	This product must not be disposed of with household waste. You are obliged, to dispose of such electrical waste separately. By disposing of electrical waste and other old or defective electronics separately, you support recycling or other forms of re-use. In that way you help to take care and to avoid that harmful substances get into the environment.

Required accessories	