

## Panel mounting socket outlet, angled - flange 114x114, with electrical interlocking PSK

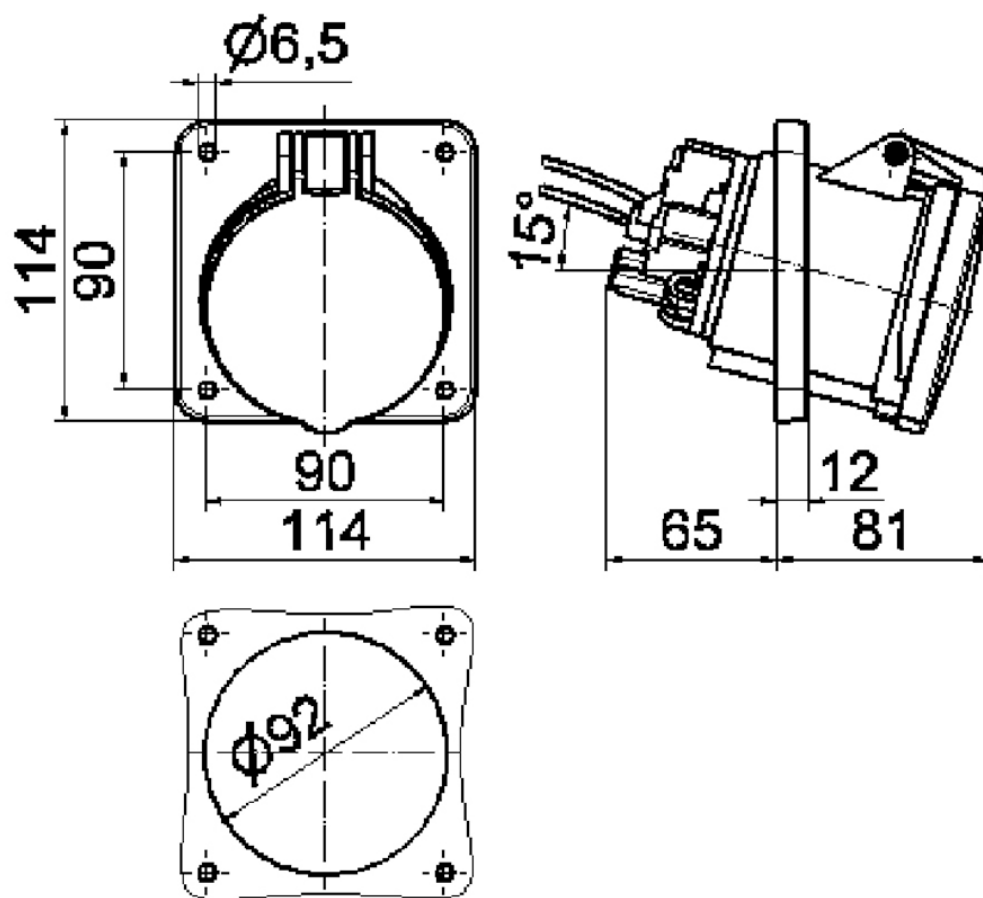


Product description	
BALS-Prd.-Nr	12616
EAN	4024941126168
Product category	Panel mounting socket outlet, angled
Current	63A
Number of poles	5p
Poles	3p+N+PE
Position of earth contact	6 h
Voltage	200/346 up to 240/415V

Product description	
Frequency	50 and 60Hz
Protection degree	IP44
Colour code	red RAL 3000
Colour of appliance	Hinged lid red RAL 3000, Enclosure grey RAL 7035
Connection design	screw terminal as box terminal with Kontex-contact
Maximum conductor size	25.0 qmm
Cable entry	other
Height	119mm
Width	114mm
Depth	148mm
Flange size vertical	114mm
Flange size horizontal	114mm
Drill hole distance vertical	90mm
Drill hole distance horizontal	90mm
Material of enclosure	Polyamide
Contact	The contact carrier is made of high temperature resistant material, the contacts are brass nickel plated

Additional technical properties	
	The inclination is 15°, electrically interlocked wit

Logistics data	
Weight/pcs	0.59 kg / Piece
Packaging	Carton
Content amount	5 ST
EAN	4024941843805
Length	295 mm
Width	185 mm
Height	215 mm
Weight	3.114 kg
Volume	9,975 ccm



## 4 MB 273