

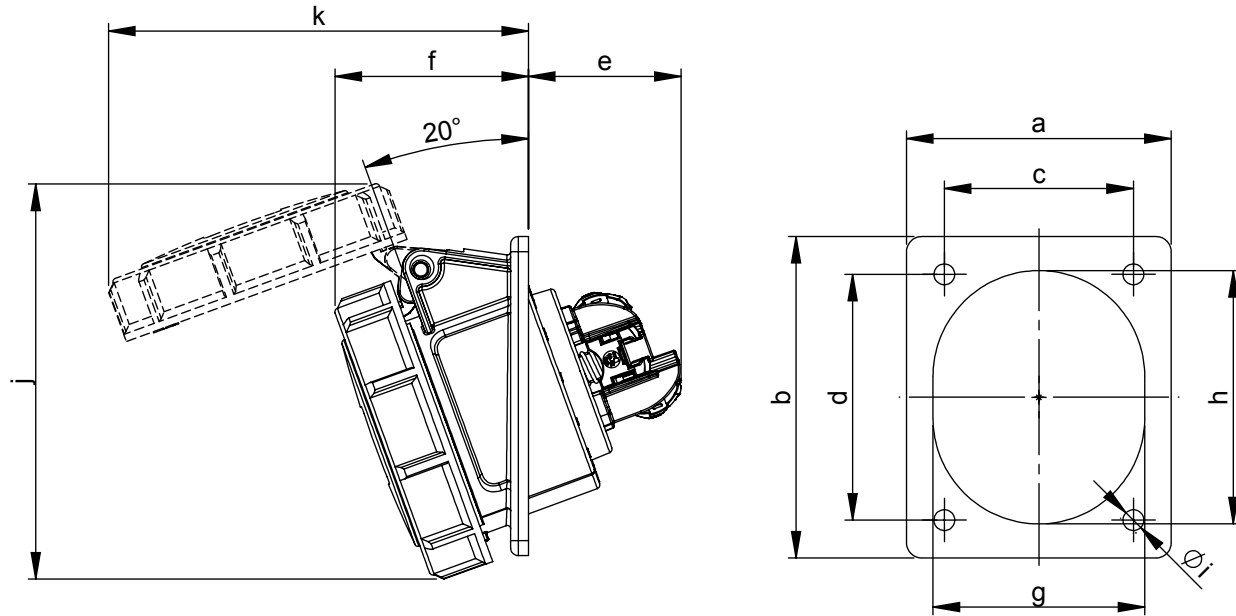
## Maßskizze / dimensional drawing

Benennung: **Anbausteckdose schräg IP67 70x85 TT**

description: **Flanged socket sloping IP67 70x85 TT**

Teilenummer / part number: **4132-\*tff78, 4142-\*tff78**

PCE



Ampere	16		
Pole	3	4	5
a [mm]	70	70	-
b [mm]	85	85	-
c [mm]	50	50	-
d [mm]	65	65	-
e [mm]	41	41	-
f [mm]	50	52	-
g [mm]	51	56	-
h [mm]	61	67	-
i [mm]	5,5	5,5	-
j [mm]	97	104	-
k [mm]	102	111	-