

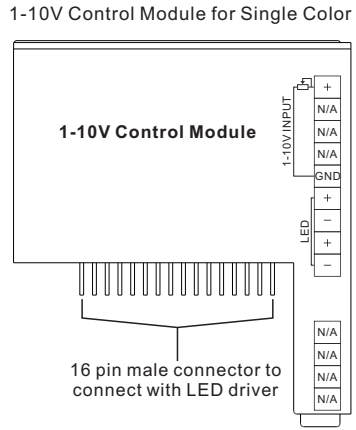
# Plug-in Type 1-10V Control Module for Single Color

09.092007V.04735



**Important:** Read All Instructions Prior to Installation

## Function introduction



## Features

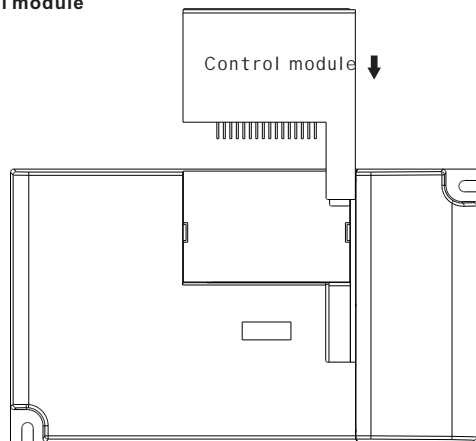
- Works with plug-in control module intelligent LED driver
- Built-in 1-10V dimming interface
- Receives 1-10V signal
- 1 channel 1-10V signal input for ON/OFF and dimming control
- Compatible with universal 1-10v signal
- 0-10V version available for option

## Safety & Warnings

- DO NOT assembly the control module with power applied to the LED driver.
- DO NOT expose the module to moisture.
- DO NOT change the control module within 1 minute after powering off the driver to avoid burning-out.

## Operation

### 1.Assemble the control module

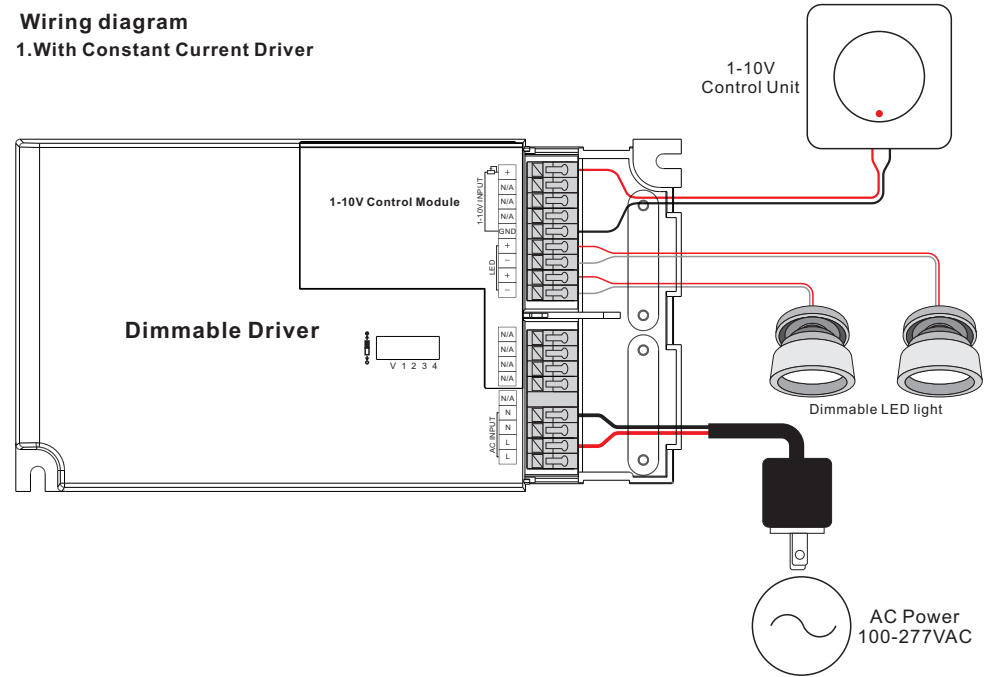


## 2.LED Driver Wiring:

Once the control module is assembled to the LED driver, do wiring of LED driver according to the wiring diagram.

## Wiring diagram

### 1.With Constant Current Driver



### 2.With Constant Voltage Driver

