

Produktdatenblatt

Art. Nr. 96.232.0463.1

### Konfektionierte Leitung RST20i3K1B- 15H 04SW

RST20i3 Anschlussleitung Buchse - freies Ende, 3-polig,  
konfektioniert mit Schrumpfschlauch, Anwendung 250V mit PE,  
16A, Kabeltyp H05Z1Z1-F, Länge 0,4m, Leiterquerschnitt 1,5mm<sup>2</sup>,  
Kodierfarbe schwarz



|                |               |
|----------------|---------------|
| Art. Nr.       | 96.232.0463.1 |
| EAN            | 4049088009914 |
| Bestelleinheit | 100 Stück     |

## Zulassungen

## Technische Daten

### Hinweis

|         |   |
|---------|---|
| Hinweis | Die Gesamtlänge kann um bis zu + / - 3 % abweichen. |
|---------|---|

### Allgemein

|                                |   |
|--------------------------------|---|
| Bemessungsstrom                | 16 A                                    |
| Bemessungsspannung             | 250 V                                   |
| Bemessungsstoßspannung         | 4 kV                                    |
| Verschmutzungsgrad             | 3                                       |
| Verriegelbar                   | selbstverriegelnd (mit Werkzeug lösbar) |
| Codierfarbe / Kontakteinsatz   | schwarz                                 |
| Polkennzeichnung               | L, N, PE                                |
| Gehäusefarbe mit Zugentlastung | schwarz                                 |

### Ausführung

|                                  |                                  |
|----------------------------------|----------------------------------|
| Bauart                           | Schrumpfschlauch                 |
| Anschlussart                     | Crimp                            |
| Leiter-Nennquerschnitt           | 1,5 mm <sup>2</sup>              |
| Schutzart (IP)                   | IP66/68 (3m;2h)                  |
| Abisolierlänge                   | 9 mm                             |
| Abmantellänge                    | 35 mm                            |
| Leiterendenbehandlung            | ultraschallverdichtete Aderenden |
| Typ der Leitung                  | H05Z1Z1-F                        |
| Farbe der Leitung                | schwarz                          |
| Kabeldurchmesser min.            | 7,8 mm                           |
| Kabeldurchmesser max.            | 8,2 mm                           |
| Leitungsart                      | Buchse - freies Ende             |
| Art der konfektionierten Leitung | Anschlussleitung                 |
| Ausführung Seite 1               | Buchse                           |
| Ausführung Seite 2               | freies Leitungsende              |
| Geschirmt                        | nein                             |

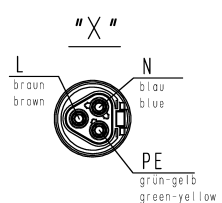
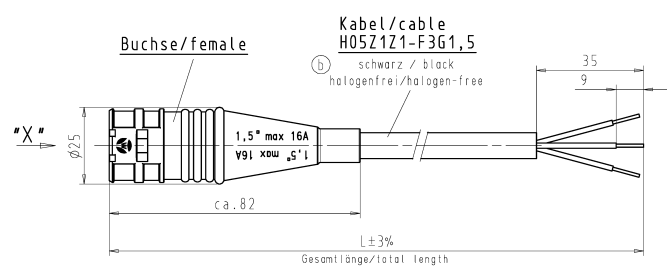
### Werkstoff

|  |            |
|--|------------|
| Oberflächenbehandlung                    | versilbert |
| Halogenfrei                              | ja         |
| Leitung Dauertemperaturbeständigkeit     | 70 °C      |
| Isolierteil Dauertemperaturbeständigkeit | 100 °C     |
| Brandlast                                | 0,234 kWh  |
| Brandklasse                              | Eca        |

### Abmessungen

|             |       |
|-------------|-------|
| Gesamtlänge | 0,4 m |
|-------------|-------|

**Technische Zeichnung**

| <p>These dimensions will be reported in terms of delivery</p> <p>These dimensions will be reported in terms of delivery</p> <p>These dimensions will be reported in terms of delivery</p> <p>These dimensions will be reported in terms of delivery</p> |  <p style="text-align: center;">"X"</p> <p style="text-align: center;">L      N<br/>braun      blau<br/>brown      blue</p> <p style="text-align: center;">PE<br/>grün-gelb<br/>green-yellow</p> |  <p style="text-align: center;">Buchse/female</p> <p style="text-align: center;">Kabel/cable<br/>H05Z1Z1-F3G1,5</p> <p style="text-align: center;">schwarz / black<br/>halogenfrei/halogen-free</p> <p style="text-align: center;">1,5" max 16A<br/>V91 xow „S“</p> <p style="text-align: center;">ca. 82</p> <p style="text-align: center;">L ± 3%</p> <p style="text-align: center;">Gesamtlänge/total length</p> | <p style="writing-mode: vertical-rl; transform: rotate(180deg);">                 Wenn Maßangaben in Klammern angegeben sind, sind die Maße in mm anzunehmen.<br/>                 When dimensions in brackets are given, the dimensions are in mm unless otherwise stated.             </p>  |                       |      |   |             |                      |                    |                                 |                     |               |  |               |                     |               |                   |                                |                      |               |  |               |                      |  |  |  |  |  |  |  |  |  |  |  |  |                    |      |          |      |                           |  |  |  |  |  |                    |        |        |   |                     |  |  |  |  |  |                                 |  |  |  |  |  |  |  |
|---|---|---|---|-----------------------|------|---|-------------|----------------------|--------------------|---------------------------------|---------------------|---------------|--|---------------|---------------------|---------------|-------------------|--------------------------------|----------------------|---------------|--|---------------|----------------------|--|--|--|--|--|--|--|--|--|--|--|--|--------------------|------|----------|------|---------------------------|--|--|--|--|--|--------------------|--------|--------|---|---------------------|--|--|--|--|--|---------------------------------|--|--|--|--|--|--|--|
|   |   |   | <table border="1" style="width:100%; border-collapse: collapse;"> <tr> <td>Farbe/color</td> <td>.F</td> </tr> <tr> <td>schwarz/black</td> <td>.1</td> </tr> <tr> <td>lichtgrau/light grey</td> <td>.0</td> </tr> </table>   | Farbe/color           | .F   | schwarz/black   | .1          | lichtgrau/light grey | .0                 |                                 |                     |               |  |               |                     |               |                   |                                |                      |               |  |               |                      |  |  |  |  |  |  |  |  |  |  |  |  |                    |      |          |      |                           |  |  |  |  |  |                    |        |        |   |                     |  |  |  |  |  |                                 |  |  |  |  |  |  |  |
| Farbe/color   | .F  |   |   |                       |      |   |             |                      |                    |                                 |                     |               |  |               |                     |               |                   |                                |                      |               |  |               |                      |  |  |  |  |  |  |  |  |  |  |  |  |                    |      |          |      |                           |  |  |  |  |  |                    |        |        |   |                     |  |  |  |  |  |                                 |  |  |  |  |  |  |  |
| schwarz/black   | .1  |   |   |                       |      |   |             |                      |                    |                                 |                     |               |  |               |                     |               |                   |                                |                      |               |  |               |                      |  |  |  |  |  |  |  |  |  |  |  |  |                    |      |          |      |                           |  |  |  |  |  |                    |        |        |   |                     |  |  |  |  |  |                                 |  |  |  |  |  |  |  |
| lichtgrau/light grey  | .0  |   |   |                       |      |   |             |                      |                    |                                 |                     |               |  |               |                     |               |                   |                                |                      |               |  |               |                      |  |  |  |  |  |  |  |  |  |  |  |  |                    |      |          |      |                           |  |  |  |  |  |                    |        |        |   |                     |  |  |  |  |  |                                 |  |  |  |  |  |  |  |
|   |   |   | <table border="1" style="width:100%; border-collapse: collapse;"> <thead> <tr> <th>Teile-Nr.<br/>part-no.</th> <th>L</th> <th>Beispiel (Farbe: schwarz, lichtgrau)<br/>example (colour: black, grey)</th> <th>Typ<br/>type</th> </tr> </thead> <tbody> <tr> <td>96.232.XX63.F</td> <td>XX in dm-Schritten</td> <td>96.232.1063.1 = 10dm/L = 1000mm</td> <td>RST2013K1B-15H 10SW</td> </tr> <tr> <td>96.232.XX63.F</td> <td></td> <td>96.232.1063.0</td> <td>RST2013K1B-15H 10GL</td> </tr> <tr> <td>U6.232.XX63.F</td> <td>XX in m-Schritten</td> <td>U6.232.1263.1 = 12 m/L=12000mm</td> <td>RST2013K1B-15H X12SW</td> </tr> <tr> <td>U6.232.XX63.F</td> <td></td> <td>U6.232.1263.0</td> <td>RST2013K1B-15H X12GL</td> </tr> </tbody> </table> <p>Weitere Daten siehe KATALOG oder eCatalog.      <a href="http://www.wieland-electric.com">www.wieland-electric.com</a><br/>                 Additional data see CATALOG or eCatalog.      <a href="http://eshop.wieland-electric.com">eshop.wieland-electric.com</a></p> <p>                 Fertigung Size ISO 14045/Tolerance system Size ISO 14045.      <input type="checkbox"/> Stabstifts- und Dekretionsliste nach DIN 5020, IIR ist anzunehmen.<br/>                 (This ISO-standard describes the envelope principle. According to the envelope principle the deviations of form and parallelism are limited by the size tolerance).      Conformity with Wieland document MN 5020, IIR or IIR is prohibited / see (except in hazardous situations) to be declared!             </p> <p>                 Fertigungstoleranz nach DIN 1875      (AD) - Zeichnung, keine manuellen Änderungen      1. Verwendung:      Blatt: 1 von 1<br/>                 General tolerance      (AD) - drawing, no manual modifications allowed      First Use:      Sheet: 1 of 1             </p> <table border="1" style="width:100%; border-collapse: collapse;"> <tr> <td style="width:10%;"></td> <td style="width:10%;"></td> <td style="width:10%;"></td> <td style="width:10%;"></td> <td style="width:10%;"></td> <td style="width:10%;"></td> <td style="width:10%;"></td> <td style="width:10%;"></td> <td style="width:10%;"></td> <td style="width:10%;"></td> </tr> <tr> <td></td> <td></td> <td>Werkstoff/Material</td> <td>2007</td> <td>Tag/Date</td> <td>Name</td> <td colspan="4">Zeichnung Nr./Drawing No.</td> </tr> <tr> <td></td> <td></td> <td>Werkstoff/Material</td> <td>24.05.</td> <td>Kneitz</td> <td>T</td> <td colspan="4">96.232.0463.0 01K b</td> </tr> <tr> <td></td> <td></td> <td colspan="8" style="text-align: center;">Maße in mm/dimensions are in mm</td> </tr> </table> <p>                 3 31.07.2014/      Type      Benennung/Title<br/>                 4 14.03.2008/      <b>wieland</b>      <b>KONFEKT_LEITUNG</b><br/>                 Index      <a href="http://www.wieland-electric.com">www.wieland-electric.com</a>      Buchse-freies Ende Crimpausführung/female-free end<br/>                 Änderung/Revision      pre-assembled cable crimp design K1 250V             </p> | Teile-Nr.<br>part-no. | L    | Beispiel (Farbe: schwarz, lichtgrau)<br>example (colour: black, grey) | Typ<br>type | 96.232.XX63.F        | XX in dm-Schritten | 96.232.1063.1 = 10dm/L = 1000mm | RST2013K1B-15H 10SW | 96.232.XX63.F |  | 96.232.1063.0 | RST2013K1B-15H 10GL | U6.232.XX63.F | XX in m-Schritten | U6.232.1263.1 = 12 m/L=12000mm | RST2013K1B-15H X12SW | U6.232.XX63.F |  | U6.232.1263.0 | RST2013K1B-15H X12GL |  |  |  |  |  |  |  |  |  |  |  |  | Werkstoff/Material | 2007 | Tag/Date | Name | Zeichnung Nr./Drawing No. |  |  |  |  |  | Werkstoff/Material | 24.05. | Kneitz | T | 96.232.0463.0 01K b |  |  |  |  |  | Maße in mm/dimensions are in mm |  |  |  |  |  |  |  |
| Teile-Nr.<br>part-no.   | L   | Beispiel (Farbe: schwarz, lichtgrau)<br>example (colour: black, grey)   | Typ<br>type   |                       |      |   |             |                      |                    |                                 |                     |               |  |               |                     |               |                   |                                |                      |               |  |               |                      |  |  |  |  |  |  |  |  |  |  |  |  |                    |      |          |      |                           |  |  |  |  |  |                    |        |        |   |                     |  |  |  |  |  |                                 |  |  |  |  |  |  |  |
| 96.232.XX63.F   | XX in dm-Schritten  | 96.232.1063.1 = 10dm/L = 1000mm   | RST2013K1B-15H 10SW   |                       |      |   |             |                      |                    |                                 |                     |               |  |               |                     |               |                   |                                |                      |               |  |               |                      |  |  |  |  |  |  |  |  |  |  |  |  |                    |      |          |      |                           |  |  |  |  |  |                    |        |        |   |                     |  |  |  |  |  |                                 |  |  |  |  |  |  |  |
| 96.232.XX63.F   |   | 96.232.1063.0   | RST2013K1B-15H 10GL   |                       |      |   |             |                      |                    |                                 |                     |               |  |               |                     |               |                   |                                |                      |               |  |               |                      |  |  |  |  |  |  |  |  |  |  |  |  |                    |      |          |      |                           |  |  |  |  |  |                    |        |        |   |                     |  |  |  |  |  |                                 |  |  |  |  |  |  |  |
| U6.232.XX63.F   | XX in m-Schritten   | U6.232.1263.1 = 12 m/L=12000mm  | RST2013K1B-15H X12SW  |                       |      |   |             |                      |                    |                                 |                     |               |  |               |                     |               |                   |                                |                      |               |  |               |                      |  |  |  |  |  |  |  |  |  |  |  |  |                    |      |          |      |                           |  |  |  |  |  |                    |        |        |   |                     |  |  |  |  |  |                                 |  |  |  |  |  |  |  |
| U6.232.XX63.F   |   | U6.232.1263.0   | RST2013K1B-15H X12GL  |                       |      |   |             |                      |                    |                                 |                     |               |  |               |                     |               |                   |                                |                      |               |  |               |                      |  |  |  |  |  |  |  |  |  |  |  |  |                    |      |          |      |                           |  |  |  |  |  |                    |        |        |   |                     |  |  |  |  |  |                                 |  |  |  |  |  |  |  |
|   |   |   |   |                       |      |   |             |                      |                    |                                 |                     |               |  |               |                     |               |                   |                                |                      |               |  |               |                      |  |  |  |  |  |  |  |  |  |  |  |  |                    |      |          |      |                           |  |  |  |  |  |                    |        |        |   |                     |  |  |  |  |  |                                 |  |  |  |  |  |  |  |
|   |   | Werkstoff/Material  | 2007  | Tag/Date              | Name | Zeichnung Nr./Drawing No.   |             |                      |                    |                                 |                     |               |  |               |                     |               |                   |                                |                      |               |  |               |                      |  |  |  |  |  |  |  |  |  |  |  |  |                    |      |          |      |                           |  |  |  |  |  |                    |        |        |   |                     |  |  |  |  |  |                                 |  |  |  |  |  |  |  |
|   |   | Werkstoff/Material  | 24.05.  | Kneitz                | T    | 96.232.0463.0 01K b   |             |                      |                    |                                 |                     |               |  |               |                     |               |                   |                                |                      |               |  |               |                      |  |  |  |  |  |  |  |  |  |  |  |  |                    |      |          |      |                           |  |  |  |  |  |                    |        |        |   |                     |  |  |  |  |  |                                 |  |  |  |  |  |  |  |
|   |   | Maße in mm/dimensions are in mm   |   |                       |      |   |             |                      |                    |                                 |                     |               |  |               |                     |               |                   |                                |                      |               |  |               |                      |  |  |  |  |  |  |  |  |  |  |  |  |                    |      |          |      |                           |  |  |  |  |  |                    |        |        |   |                     |  |  |  |  |  |                                 |  |  |  |  |  |  |  |
| 962320463001K_2 CADW3027 Duetsch 2014-08-01T11:02:14 21.000   |   |   | QU-MEE-01/14 -  |                       |      |   |             |                      |                    |                                 |                     |               |  |               |                     |               |                   |                                |                      |               |  |               |                      |  |  |  |  |  |  |  |  |  |  |  |  |                    |      |          |      |                           |  |  |  |  |  |                    |        |        |   |                     |  |  |  |  |  |                                 |  |  |  |  |  |  |  |