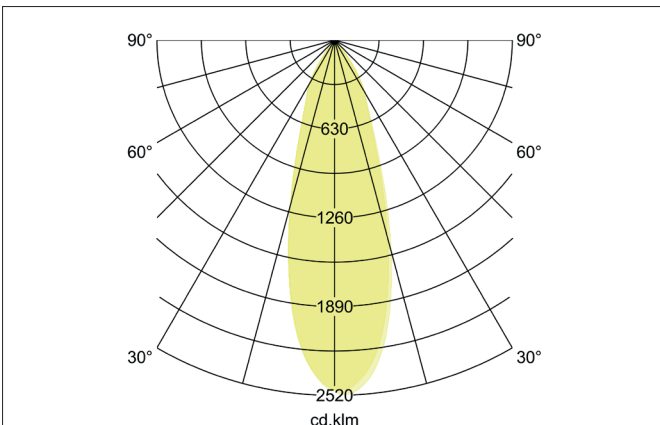
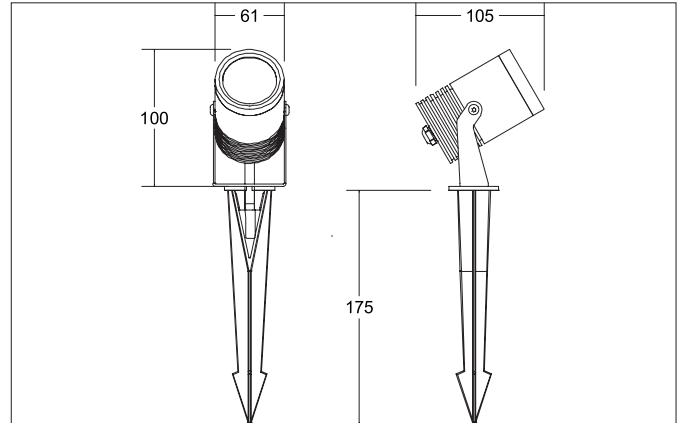


**SPIKE LED ground spike spotlight, 24 V DC, IP67**  
 Article no. 60105643

Light.  
 For Generations.



**Tender**  
 LED ground spike spotlight, 24 V DC, IP67, Round. Ceiling cut-out Installation depth mm, Outer diameter 61 mm, Weight 0,554 kg, optimal light distribution due to a glass transparent cover. Luminous flux 1.200 lm, Power 1 x 15 W, Light colour warm white, Correlated color temperature (CCT) 3.000 K, Colour rendering index CRI > 80, Housing material: Aluminium / Glass, Colour: Titanium, Permissible ambient temperature (ta): -20 °C - +25 °C, Protection class (EN 61140): III, Degree of protection (DIN EN 60529): IP67, shock resistance according to IEC62262: IK04. For connection to an external driver, which is not included in the scope of delivery of the luminaire. Depending on driver dimmable.

Article data	
Article no.	60105643
GTIN	4251433925569
Series name	SPIKE
Short description	LED ground spike spotlight, 24 V DC, IP67
Material	Aluminium / Glass
Colour	Titanium
Shape	Round
Outer diameter	61 mm
Width	61 mm
Height	100 mm
Scope of delivery	Including 1,000 mm connecting cable with Aquastop
Weight	0.554 kg

**SPIKE LED ground spike spotlight, 24 V DC, IP67**

Article no. 60105643



Light.  
For Generations.

Lighting technology	
Colour temperature	3.000 K
Light colour	White
Luminous flux	1,200 lm
System efficiency	80 lm/W
Colour rendering	CRI > 80
Beam angle	38°

Operating technology of the luminaire	
System output	15 W
Voltage type	DC
Lamp	LED
Lamp holder	Without fitting
Protection class	III
Degree of protection	IP67
Control	Depending on driver
Bulb change possible	The light source of this luminaire may only be replaced by the manufacturer or a service technician commissioned by him or a similarly qualified person.

Mounting technology	
Mounting method	Surface mounting
Place of installation	Floor-mounted
Adjustability	Head adjustable
Swivel angle	90°
Rotation angle	355°
Impact resistance	IK04
Material cover	Glass transparent

Packing data	
Gross weight	0.634 kg
Length of packaging	210 mm
Packaging width	105 mm
Packaging height	75 mm
Disposal at end of life	This product must not be disposed of with household waste. You are obliged, to dispose of such electrical waste separately. By disposing of electrical waste and other old or defective electronics separately, you support recycling or other forms of re-use. In that way you help to take care and to avoid that harmful substances get into the environment.

Accessories	
	Article no.: 17206000 LED power supply 24 V DC, 1-10 V dimmable (analog) Power: 1 - 20 W Dimensions: 145 mm x 55 mm x 19 mm
	Article no.: 17207000 LED power supply 24 V DC, on/off switchable Power: 1 - 30 W Dimensions: 160 mm x 50 mm x 22 mm