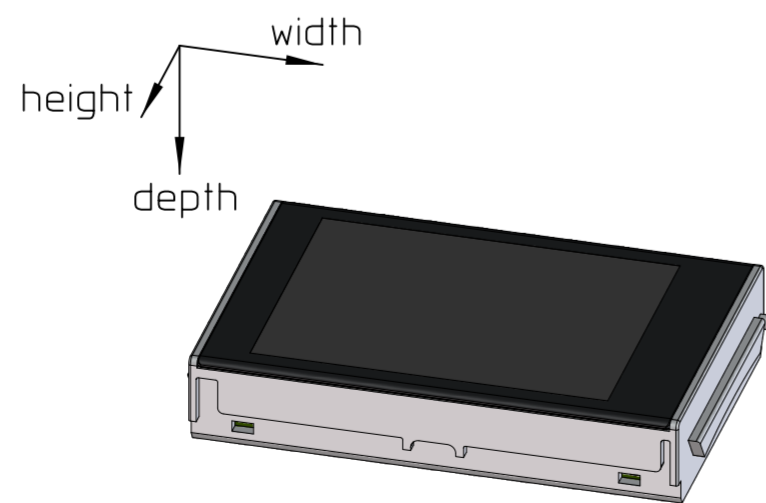
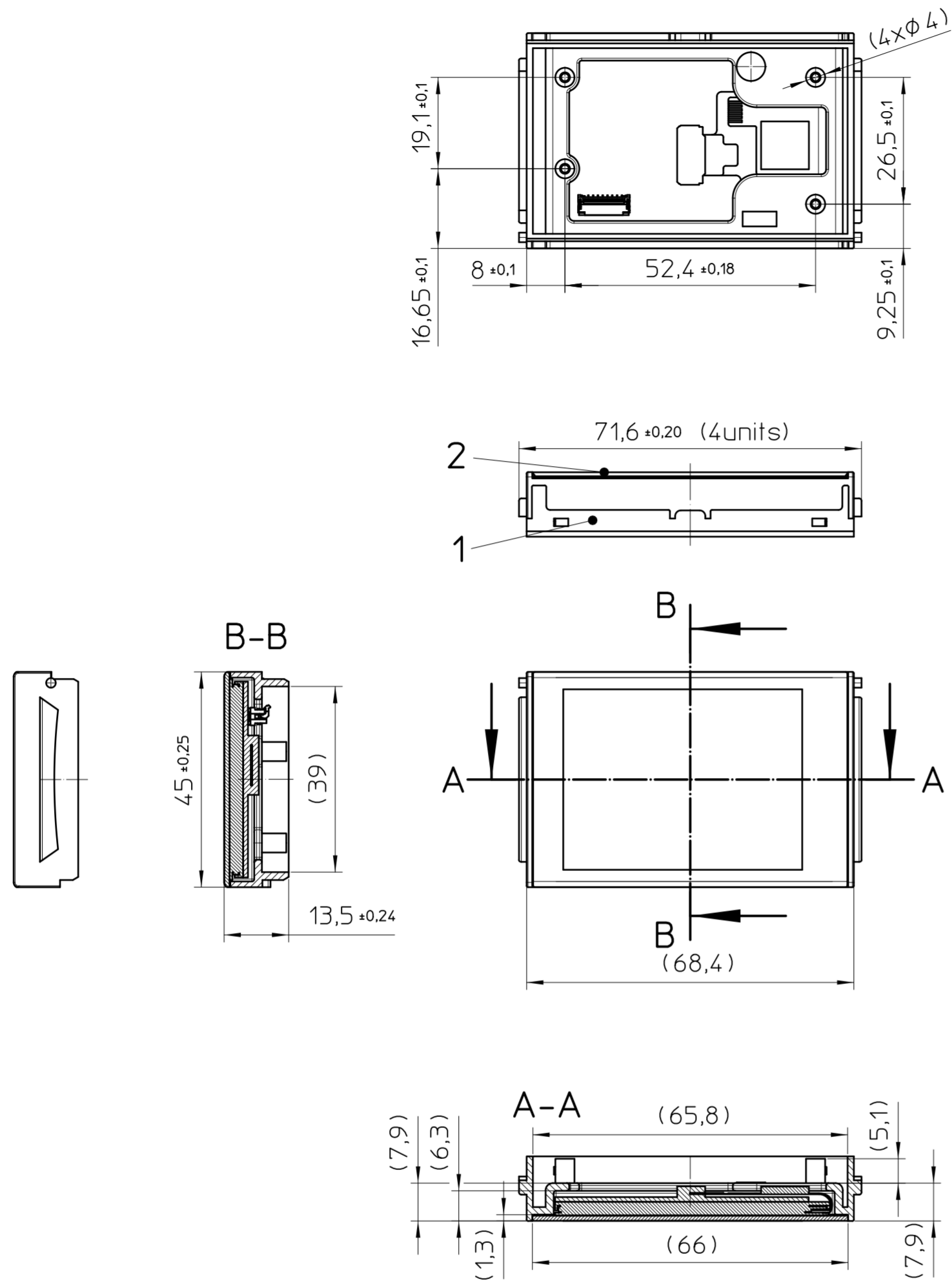


Transfer or duplication of this document as well as the utilisation or communication of its content are not permitted unless express consent is granted. Violations give rise to claims for damages. All rights reserved in case of patent, utility model or design patent registrations.

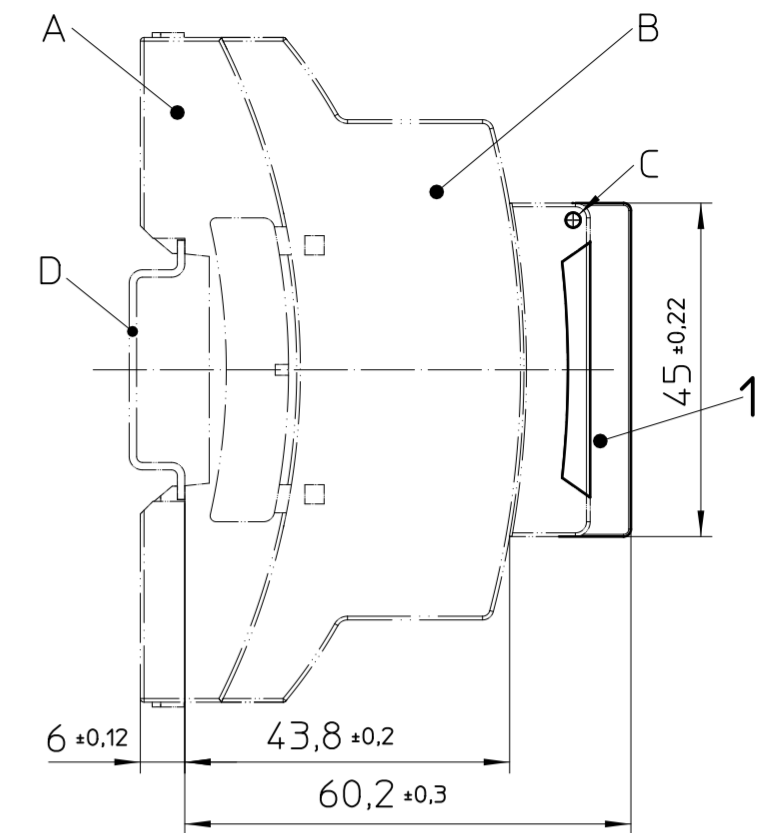
Weitergabe sowie Vervielfältigung dieses Dokuments, Verwertung und Mitteilung seines Inhalts sind verboten, soweit nicht ausdrücklich gestattet. Zuwiderhandlungen verpflichten zu Schadensersatz. Alle Rechte für den Fall der Patent-, Gebrauchsmuster- oder Designeintragung vorbehalten.

### COVER with DISPLAY

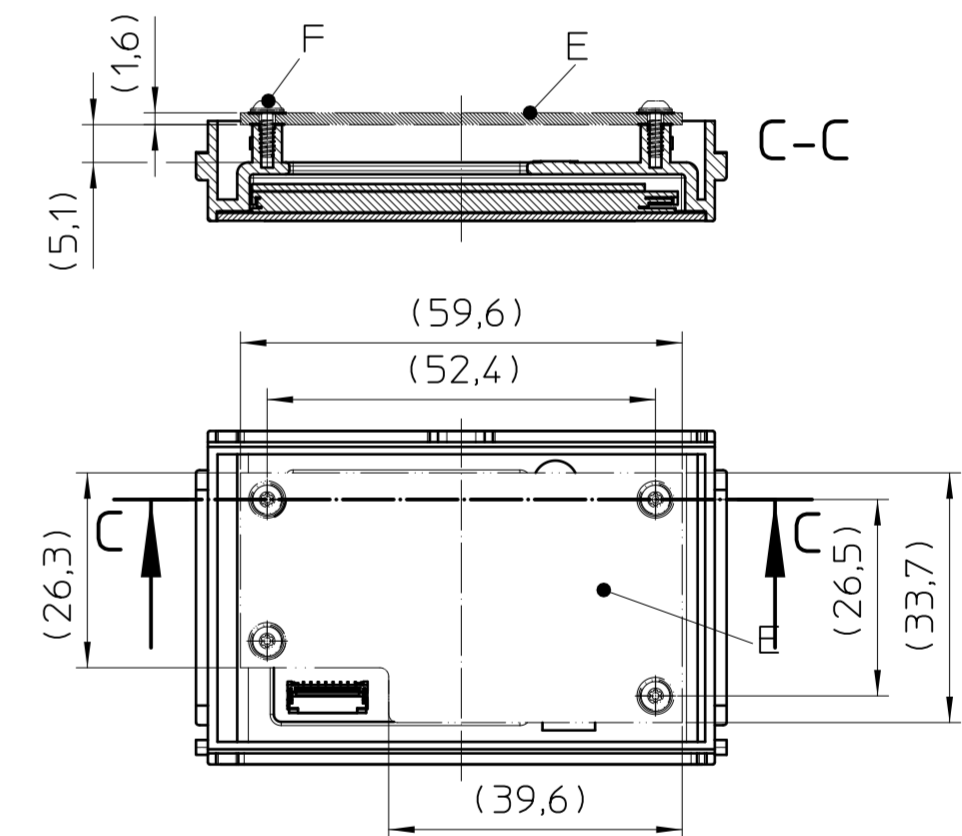


### Assembly example

Overall dimensions complaint DIN 43880



### Assembly example for optional PCB



#### General Information

- Simplified representation, exemplary shown in gray
- Document excluded from change process
- Linear dimensions [mm]
- Tolerances apply in a normal climate according to DIN EN ISO 291-23/50-2.
- Further information: [www.phoenixcontact.com](http://www.phoenixcontact.com) webcode: #0311

#### Additional Information:

- A. Housing lower part BC 71,6 UT HBUS...
- B. Housing upper part BC 71,6 OT...
- C. Pivot point
- D. Mounting rail like EN 60715: TH 35-7,5 or mounting rail TH 35-15x1,5 similar to EN 60715
- E. Optional PCB, not included
- F. Optional screw (4x) 1369850, not included

Pos.	QTY	Description	Material
1	1	COVER	PC
2	1	DISPLAY	plastic

DIN A2	document-No. / RI 01388518 / 01	date 23.04.2025	scale 1:1
	ident.-No. 1335856	document-type TECDOC 2D_Productdrawing	
page 1 of 1	description BC 71,6 DKL R D2,4 TCG BK		