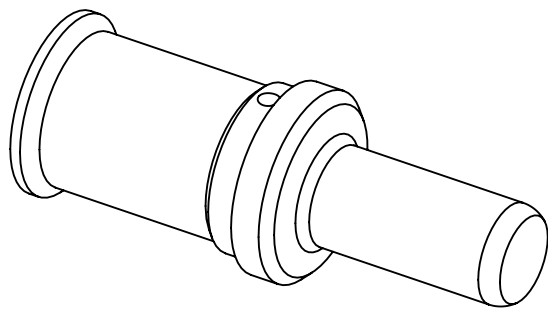



assembly notes see catalog  
 crimp zone acc. to DIN EN 46235; indicator 14  
 for stranded fine wire acc. to VDE 0295 class5/ IEC 60228 class 5  
 wire gauge: 50mm<sup>2</sup>  
 stripping length: 22,5mm



	All rights reserved Department EL PD	All Dimensions in mm Original Size DIN A4		Scale 2:1	Free size tol.	Ref.
		HARTING D-32339 Espelkamp	Created by HELLMANN	Inspected by NICHTERLEIN	Standardisation SAP_WFRT	Date 2022-10-12
Title Han TC200 Stiftkontakt 50mm <sup>2</sup>						Doc-Key / ECM-Nr. 100182350/UGD/005/B 500000224980
Type TB				Number 09 11 000 6122		Rev. B
						Page 1/1