

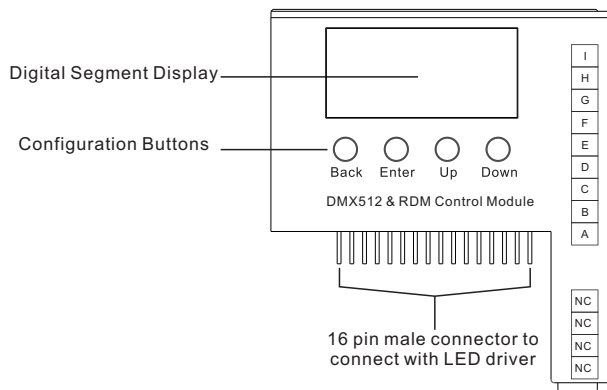
Plug-in Type RDM Enabled DMX512 Control Module

09.09DRDM.04735



Important: Read All Instructions Prior to Installation

Function introduction



Features

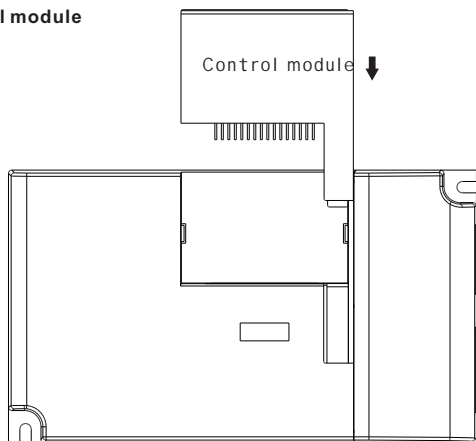
- Work with plug-in control module LED driver
- Built-in DMX dimming interface
- RDM function enabled
- Enable to set DMX address, DMX channel quantity, PWM output resolution (8 bit or 16 bit)
- 16 bit PWM output resolution enables fine dimming
- Enable to set PWM output frequency, GAMMA ray dimming curve value and DMX decoding mode
- Enables to control single color and tunable white LED
- PWM output frequency up to 30KHz for professional photograph and studio lighting
- DMX512(2008), DMX512-A and RDM V1.0 (E1.20 – 2006 ESTA Standard)

Safety & Warnings

- DO NOT assembly the control module with power applied to the LED driver.
- DO NOT expose the module to moisture
- DO NOT change the control module within 1 minute after powering off the driver to avoid burning-out.

Operation

1.Assemble the control module



2.LED Driver Wiring:

Once the control module is assembled to the LED driver, do wiring of LED driver according to the wiring diagram.

Button introduction

Up, Down button is for menu selection. After power on the decoder, if keep on clicking **Up** button, you will find below menu on display:



● ● ● ●
Back Enter Up Down

- 8.XXX** Means DMX address. factory defaults setting is 001.
- 88XX** Means DMX channels quantity.
- 88XX** Means Bit (8bit or 16bit). factory defaults setting is 16bit
- 88XX** Means output PWM frequency. factory defaults setting is 1KHZ
- 98XX** Means output dimming curve gamma value, factory defaults setting is ga 1.5
- 88XX** Means Decoding mode, factory defaults setting is dp1.1

Press and hold down both buttons Back + Enter simultaneously over 5 seconds until the display go off to restore to factory default settings .

1. DMX address setting:

select menu **8.XXX** , click button "Enter", display flashes, then click or hold button "Up" / "Down" to set DMX address (click is slow, hold is fast.), then click button "Back" to confirm.

2. DMX channel quantity setting:

Select menu **88XX** , click button "Enter", display flashes, then click button "Up" / "Down" to set DMX channel quantity , then click button "Back" to confirm.
For example the DMX address is already set 001.
CH01=1 DMX address for all the output channels, which are all address 001.
CH02=2 DMX addresses , output 1 is address 001, output 2 is address 002

3. PWM output resolution Bit setting:

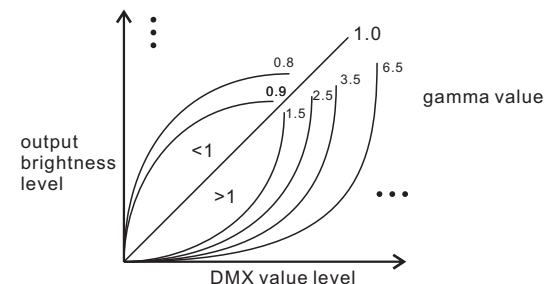
select menu **88XX** , click button "Enter", display flashes, then click button "Up" / "Down" to choose 08 or 16 bit, then click button "Back" to confirm.

4. output PWM frequency setting:

select menu **88XX** , click button "Enter", display flashes, then click button "Up" / "Down" to choose 00~30, then click button "Back" to confirm. 00=500HZ, 01=1kHz, 02=2kHz.....30=30kHz.

5. output dimming curve gamma value setting:

select menu **98XX** , click button "Enter", display flashes, then click or hold button "Up" / "Down" to choose 0.1~9.9, then click button "Back" to confirm.



6. DMX decoding mode setting:

select menu **88XX** , click button "Enter", display flashes, then click or hold button "Up" / "Down" to choose the decoding mode, then click button "Back" to confirm.

Micro dimming: the micro dimming effect can only be visible when the dimming curve gamma value is set lower than 1.4, and the lower the value is, the more visible the micro dimming effect will be.

DMX address is 001, CH01

DMX Console Slider number	dp1.1	dp2.1
DMX channel		
1	For all output dimming	For all output dimming
2	No use	For all output fine dimming

DMX address is 001, CH02

DMX Console Slider number	dp1.1	dp2.1	dp3.2
DMX channel			
1	For output 1 dimming	For output 1 dimming	For output 1 dimming
2	For output 2 dimming	For output 1 fine dimming	For output 2 dimming
3		For output 2 dimming	For all output master dimming
4		For output 2 fine dimming	

The supported RDM PIDs are as follows:

DISC_UNIQUE_BRANCH
 DISC_MUTE
 DISC_UN_MUTE
 DEVICE_INFO
 DMX_START_ADDRESS
 IDENTIFY_DEVICE
 SOFTWARE_VERSION_LABEL
 DMX_PERSONALITY
 DMX_PERSONALITY_DESCRIPTION
 SLOT_INFO
 SLOT_DESCRIPTION
 MANUFACTURER_LABEL
 SUPPORTED_PARAMETERS

The data definitions for strobe channel are as follows:

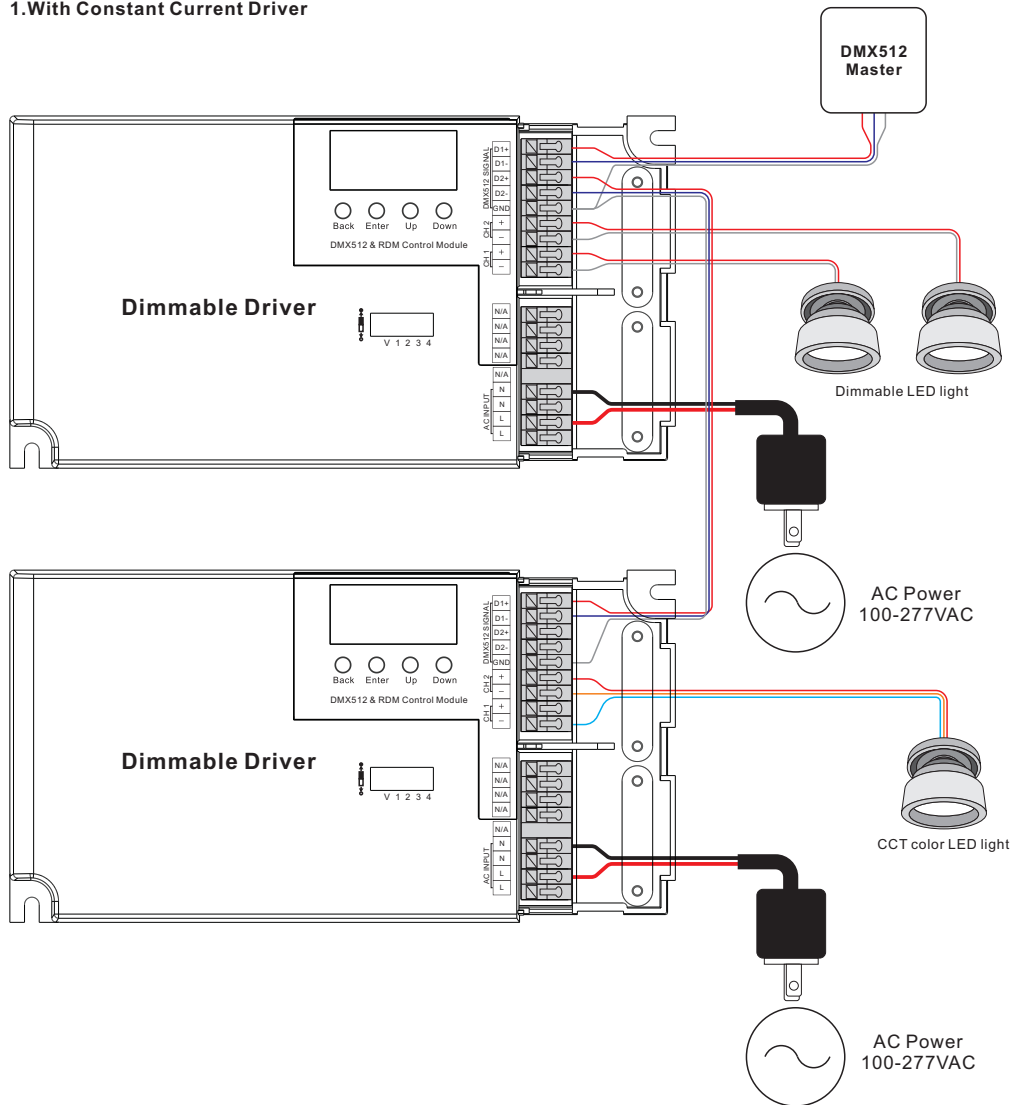
{0, 7},//undefined
 {8, 65},//slow strobe-->fast strobe
 {66, 71},//undefined
 {72, 127},//slow push fast close
 {128, 133},//undefined
 {134, 189},//slow close fast push
 {190, 195},//undefined
 {196, 250},//random strobe
 {251, 255},//undefined

Restore to Factory Default Setting

Press and hold down both "Back" and "Enter" keys until the digital display turns off, then release the keys, system will reset and the digital display will turn on again, all settings will be restored to factory default.
 Default settings are as follows:
 DMX Address Code: a001
 DMX Address Quantity: SW1=0: ch02, SW1=1:ch01
 PWM Resolution Mode: bt16
 PWM Frequency: pf01
 Gamma: ga1.5
 Decoding Mode: dp1.1

Wiring diagram

1. With Constant Current Driver



2. With Constant Voltage Driver

