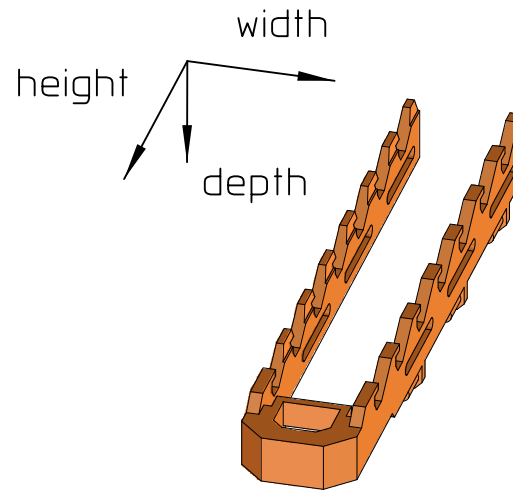
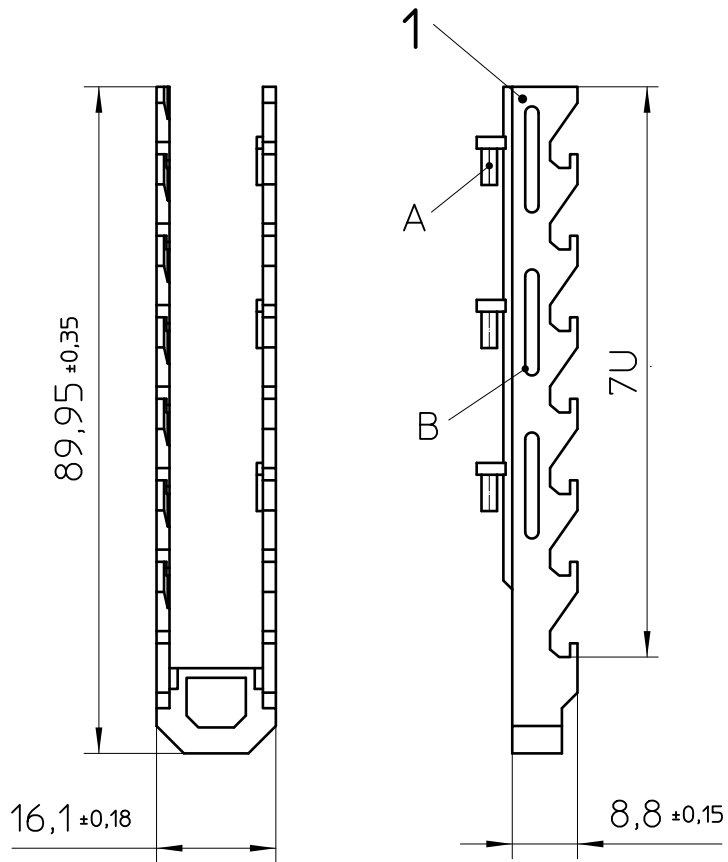


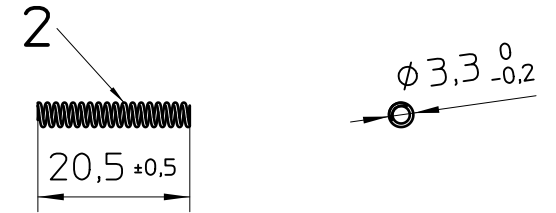
Weitergabe sowie Vervielfältigung dieses Dokuments, Verwertung und Mitteilung seines Inhalts sind verboten, soweit nicht ausdrücklich gestattet. Zuwiderhandlungen verpflichten zu Schadenersatz. Alle Rechte für den Fall der Patent-, Gebrauchsmuster- oder Designeintragung vorbehalten.

Transfer or duplication of this document as well as the utilisation or communication of its content are not permitted unless express consent is granted. Violations give rise to claims for damages. All rights reserved in case of patent, utility model or design patent registrations.

HSC-LR 7U



C-SPRING



General Information

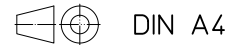
- Simplified representation, exemplary shown in orange.
- Tolerances are valid for dimensions at normal climate according to DIN EN ISO 291-23/50-2 and with 2% moisture content (weight%)
- In case of distortion there is no functional impact of the single part in the application
- Document excluded from change process
- CAD Data see Download-Center on www.phoenixcontact.com
- Simplified representation

- A. Fixation pin for spring
- B. Guidance

KIT

HSC-LR 7U KIT

Pos.	QTY	Description
1	1	HSC-LR 7U (PA GF)
2	1	C-SPRING 0,48X2,82X20,5 (1.4310)



DIN A4

document-No. / RI
00760061 / 04

date
29.04.2025

scale
1:1



ident.-No.
2201795

document-type
TECDOC 2D_Productdrawing

description

HSC-LR 7U KIT 2003

page 1 of 1