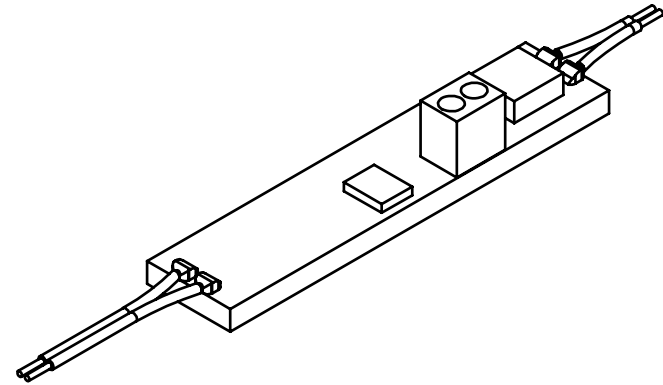


Radium

IN-PROFILE WINK SENSOR 96W/12-24V



Radium Lampenwerk GmbH

Dr.-Eugen-Kersting-Straße 6
51688 Wipperfürth
GERMANY

www.radium.de

V2010

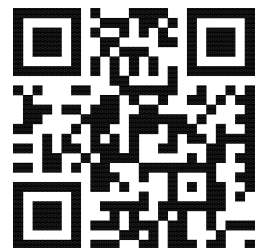


Radium Lampenwerk GmbH

Dr.-Eugen-Kersting-Straße 6
51688 Wipperfürth
GERMANY

www.radium.de

V2010



Features

- Wink sensor switch, connected directly to the low voltage LED-Strip
- When hand sweep, the strip turns on gradually.
- When hand seep again, the strip turns off gradually.
- Max 4A output current, max. output power 96W at 24V
- To operate in Radium aluminium profiles
- 3M tape in the bottom of the PCB to ensure easy installation and security
- Enables contactless switching

Technical Parameters

Input and Output

Input voltage	12-24VDC
Output voltage	12-24VDC
Output power	Max. 48W @ 12V Max. 96W @ 24V
Standby power	< 0,5W

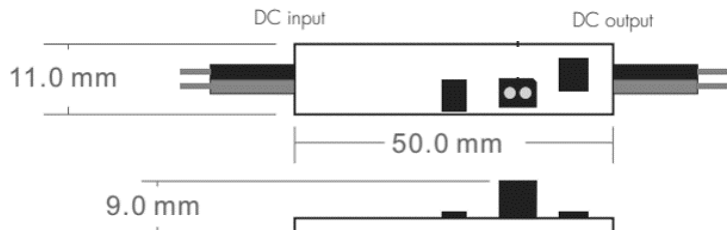
Sensor data

Detective desistance	< 8 cm
Detective angle	12-30

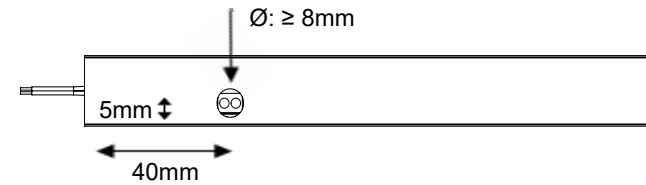
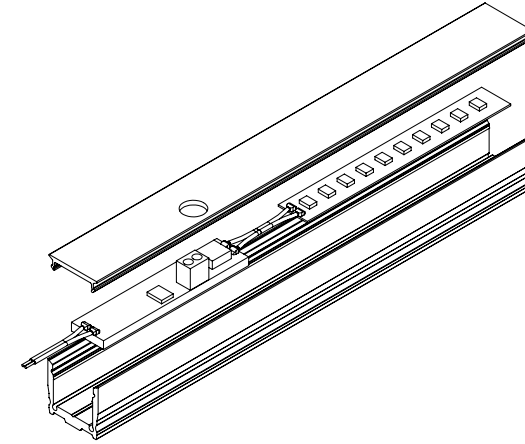
Environment

Operation temperature	Ta: -30°C ~ +55°C
-----------------------	-------------------

⚠ Do not mount on flameable surfaces.



Installation



Recommended Profiles

Aluminum Profiles	Article no.
PROFILE SMALL U	TRPA2501
PROFILE SMALL U FLAT	TRPA2511
PROFILE SMALL WING	TRPA2521
PROFILE SMALL CORNER	TRPA2531
PROFILE MEDIUM U FLAT	TRPA2551

