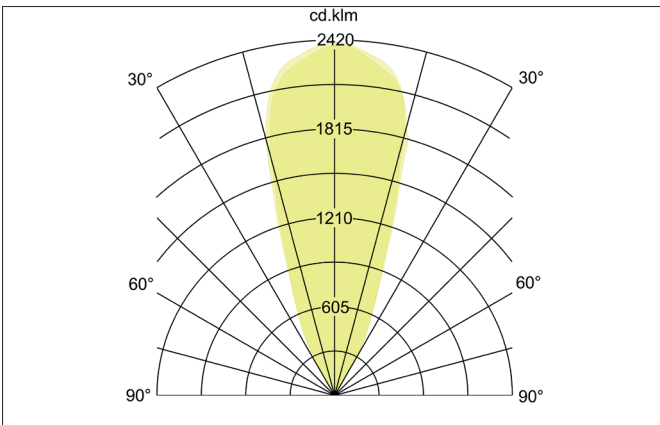
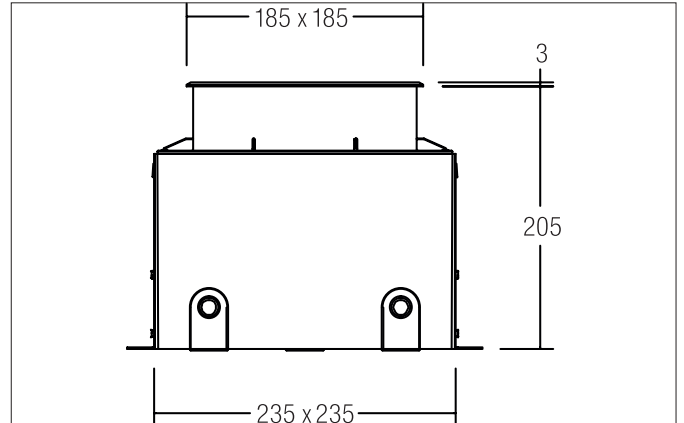


HYBRIDE LED-floor recessed light, V4A, IP67
 Article no. 14672223

Light.
 For Generations.



Tender
 LED-floor recessed light HYBRIDE, V4A, IP67, Square. Installation opening L x W 235 x 235 mm Installation depth 205 mm, Weight 3,664 Kg, with rotationssymmetrical, deep, wide distributed light intensity. optimal light distribution due to a glass transparent cover. Luminous flux 720 lm, Power 1 x 13 W, System Efficiency 55 lm/W, Light colour warm white, Correlated color temprature (CCT) 3.000 K, Colour rendering index CRI > 80, Permissible ambient temperature (ta): -20 °C - +25 °C, Protection class (EN 61140): I, Degree of protection (DIN EN 60529): IP67, shock resistance according to IEC62262: IK09, inkl. Konverter zum Anschluss an 230 V-Netzspannung, schaltbar, Bodeneinbautopf und 5.000 mm Anschlussleitung, Max. Belastung 1.000 Kg, The recessed luminaire is not suitable for installation in traffic areas. With electronic driver, on/off .

Article data	
Article no.	14672223
GTIN	4251433917298
Series name	HYBRIDE
Short description	LED-floor recessed light, V4A, IP67
Material	Stainless steel / Aluminium / Glass
Colour	Stainless steel
Shape	Square
Built-in width	235 mm
Built-in length	235 mm
Installation depth	205 mm
Length	185 mm
Width	185 mm
Scope of delivery	Incl. converter for connection to the 230-V mains voltage, on/off, floor installation pot and 5,000 mm connecting cable.
Weight	3.664 kg

HYBRIDE LED-floor recessed light, V4A, IP67
Article no. 14672223

Light.
For Generations.

Lighting technology	
Colour temperature	3000 K
Light colour	White
Luminous flux	720 lm
System efficiency	55 lm/W
Colour rendering	CRI > 80
Reflector	Without
Beam angle	37°
Light sharing	Symmetric

Operating technology of the luminaire	
System output	13 W
Voltage type	AC
AC nominal voltage max	230 V
Frequenz max.	50 Hz
Lamp	LED
Protection class	I
Degree of protection	IP67
Control	on/off
Bulb change possible	Yes

Mounting technology	
Mounting method	Recessed mounting
Place of installation	Floor-mounted
Adjustability	Not adjustable
Max. load	1,000 kg
Over rollable	No
Impact resistance	IK09
Further references	V4A
Material cover	Glass transparent
Suitable for through-wiring	Yes

Packing data	
Gross weight	5.031 kg
Length of packaging	245 mm
Packaging width	245 mm
Packaging height	215 mm
Disposal at end of life	This product must not be disposed of with household waste. You are obliged, to dispose of such electrical waste separately. By disposing of electrical waste and other old or defective electronics separately, you support recycling or other forms of re-use. In that way you help to take care and to avoid that harmful substances get into the environment.