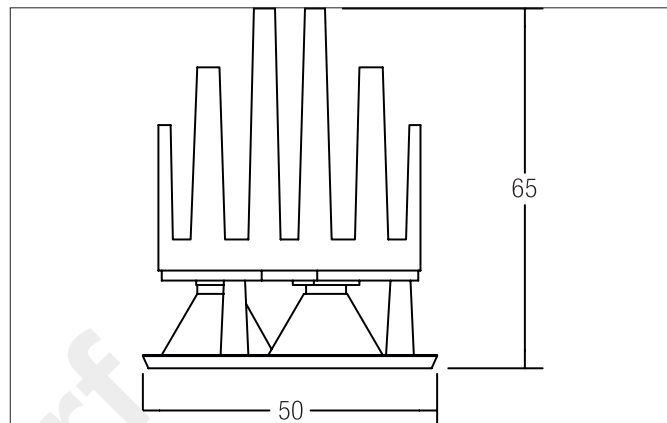


LED insert with lens optics MR16, RGB

Artikel-Nr. 18101001

Licht.
Für Generationen.**Tender**

LED insert with lens optics MR16, RGB, round RGB module, connecting cable: 5-core, control: negative, common anode (C.A.). Light flux: red: 65 lm | green: 135 lm | blue: 30 lm. Material: Aluminium / Plastic, Degree of protection: according to DIN EN 60529 IP20, Protection class: (EN 61140) III, Voltage: 12V, Power: 13.8W, Amount of light sources / fittings: 3.0 Qty, Beam angle: 45°.

Article data

Artikel-Nr.	18101001
GTIN	4250047784111
Kurzbeschreibung	LED insert with lens optics MR16, RGB
Material	Aluminium / Plastic
Shape	round
Outer diameter	51 mm
Aufbauhöhe	52 mm
weight	0.114 kg

Lighting technology

Colour temperature	RGB
Beam angle	45 °
Light sharing	Symmetric

Packing data

Gross weight	0.151 kg
Length of packaging	90 mm
Packaging width	55 mm
Packaging height	109 mm

Date 01.12.2021 All technical data as well as, weight and measurements are based on rated values and had been carefully prepared.


We reserve the right to make technical changes which are important in progressing. Product pictures are examples and can vary from the original.

Subject to errors.

Orders are placed under our general terms and conditions under <https://www.brumberg.com/en/terms-and-conditions/general-terms-and-conditions-of-sale/>

LED insert with lens optics MR16, RGB
Artikel-Nr. 18101001

Licht.
Für Generationen.

Accessories	
	Artikel-Nr.: 3506 Kurzbeschreibung: LED power supply 12 V DC, 1-10 V dimmable (analog) Leistung: 0 - 20 W Abmessung: 145 mm x 55 mm x 19 mm

Entwurf