

wall thickness 2,1-4,5

seal compressed

8

mating face acc. to IEC 60603-7

1

contact position

contact face acc. to IEC 61076-2-109

6

7

contact position

contact position  
4 5

contact position  
1 8

3

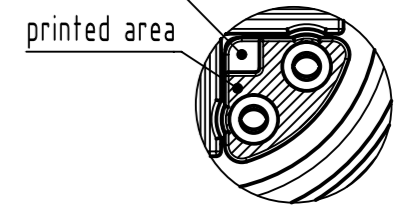
2

contact position

24

X (5:1)

coding printed area



SW18  
width across flats 18

M16x1,5

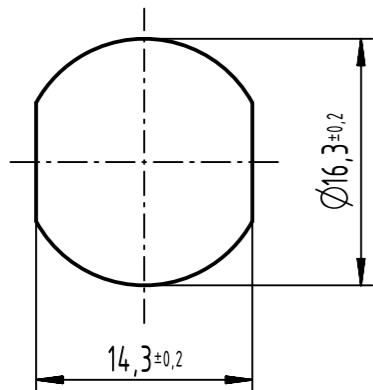
12

9,5

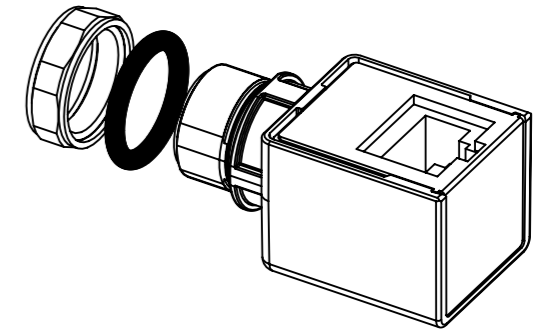
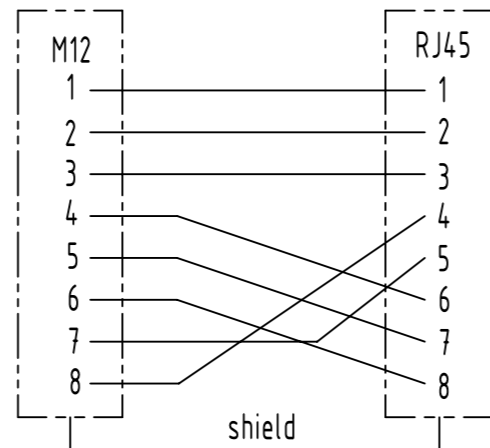
34

45,5

A  
panel cut-out



circuit diagram



	All rights reserved Department EL PD	All Dimensions in mm Original Size DIN A3	Scale 2:1	Free size tol.	Ref. Sub.
	HARTING D-32339 Espelkamp	Created by 105120	Inspected by HASSEBROCKS	Standardisation	Date 2023-07-14
Title har-speed adapter M12-RJ45, angled				State Final Release	
Type TB			Number 21033814800		Doc-Key / ECM-Nr. 100230266/UGD/008/M 50000249912
				Rev. M	Page 1/1