



# Han 3A Plug AC+DC, RJ 45 Data, metal



## General information

Design	custom, mating face of data modul acc. to DIN EN 60603-7	
No. of contacts	power; 2 + PE	data: 8
Test voltage	power: 2,21 kV	data: 500 V
Contact resistance power	max. 3 mOhm	
Contact resistance PE/hood	max. 100 mOhm acc. to DIN EN 61984	
Rated current	max. 12 A at 70°C (see derating diagram)	
Rated voltage	max. 300 V	
Temperature range	-30°C ... +70°C (pay attention to cable specification!)	
Termination technology	power: crimp	data: IDC
Clearance & creepage distance	acc. to DIN EN 60950-1	
Protection degree	IP67 in mated condition, IP 20 in unmated condition	
Finger protection	acc. to DIN EN 60529	
Mating cycles	100	
RoHS - compliant	Yes	
Leadfree	Yes	
Hot plugging	No	

## Insulator material

	Power insulator	Housing	Cable clamp
Material	PBT GF30	Aluminium die cast	Copper alloy
Colour	RAL 7032 (grey)	powder coated, black	plated (Ni)
UL classification	UL 94-V0	UL 50 - NEMA 4/12	
NFF classification	I3, F4		

## Contact material

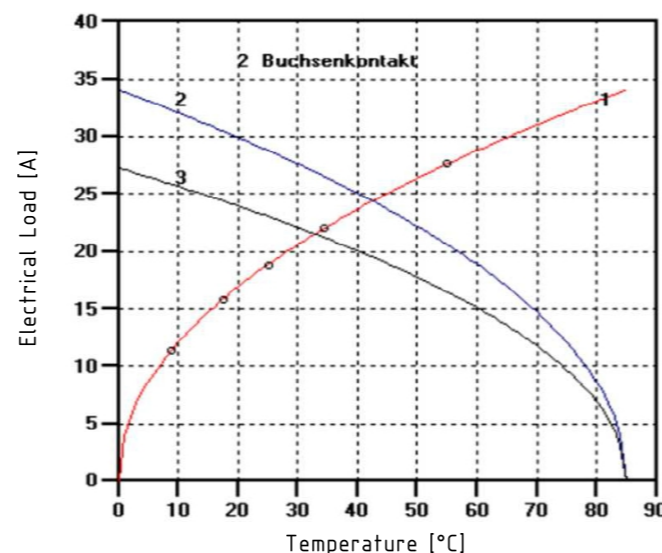
	Power contacts	Data contacts
Contact material	Copper alloy	Copper alloy
Plating termination zone	Ag	Au
Plating contact zone I	Ag	Au

## Derating diagram acc. to IEC 60512-5 (Current carrying capacity)

The current carrying capacity is limited by maximum temperature of materials for inserts and contacts including terminals.  
The current capacity curve is valid for continuous, non interrupted current loaded contacts of connectors when simultaneous power on all contacts is given, without exceeding the maximum temperature.

Control and test procedures according to DIN IEC 60512-5

- 1) temperature rise
- 2) derating
- 3) derating curve at I\*0,8 (IEC 512)



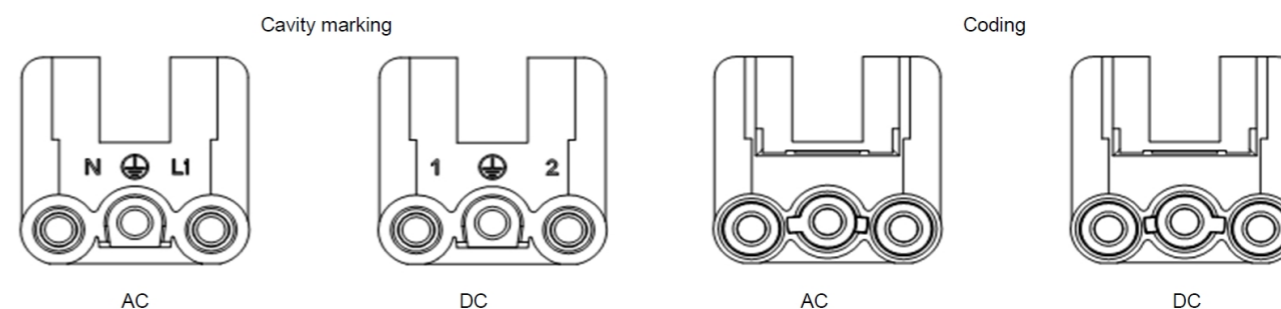
## Electrical performance of data connector

Transmission performance	Category 5 / class D up to 100MHz acc. to ISO/IEC 11801:2002, EN 50173-1
Transmission rate	10/100 Mbit/S
Shielding	fully shielded, 360° shielding contact
Cable diameter stranded	AWG 27/7 - AWG 24/7

Connection Pin assignment in accordance with EIA / TIA 568 A & B:

Pin	EIA / TIA 568 A	EIA / TIA 568 B
1	green white	orange white
2	green	orange
3	orange white	green white
4	blue	blue
5	blue white	blue white
6	orange	green
7	brown white	brown white
8	brown	brown

## Marking and coding



		All Dimensions in mm Original Size DIN A3	Scale 1:1	Free size tol.	Ref. Sub. DS 09 57 510 08 02 / EC03826 / 21.09.2011	
All rights reserved Department EC PD - DE		Created by THIELEMANN	Inspected by TADJE	Standardisation KOHLER	Date 2014-07-10	State Final Release
HARTING Electronics GmbH D-32339 Espelkamp		Title Han 3A Plug AC+DC, RJ 45 Data, metal			Doc-Key / ECM-Nr. 100580878/UGD/000/A 50000076070	
		Type DS	Number 09575100802		Rev. A	Page 1/1