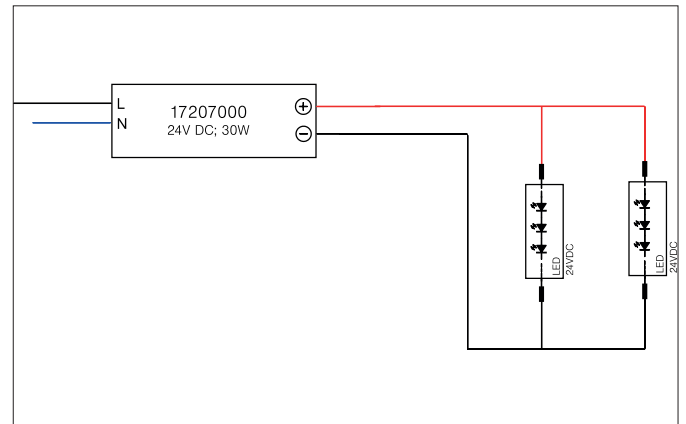


LED power supply 24 V DC, on/off switchable

Article no. 17207000

Light.
For Generations.



Tender

LED power supply 24 V DC, on/off. This power supply unit is equipped with safety devices which protect it against overvoltage, short-circuit as well as thermal and electric overloads. The input and output terminals are suitable for cables with a cross-section of up to 2.5 mm². Material: Plastic, Degree of protection: according to DIN EN 60529 IP20, Protection class: (EN 61140) II, Voltage: 24V, Power: 30W, Control: on/off.

Article data	
Article no.	17207000
GTIN	4250047780205
Short description	LED power supply 24 V DC, on/off switchable
Material	Plastic
Length	160 mm
Width	50 mm
Height	22 mm
Weight	0.165 kg

LED power supply 24 V DC, on/off switchable

Article no. 17207000

Light.
For Generations.

Operating technology of driver	
AC nominal voltage max	230 V
Frequenz max.	50 Hz
Protection class	II
Degree of protection	IP20
Power min	1 W
Power	30 W
Control	on/off
Environment temperature (ta)	0°C up to 40°C
Measure point (tc)	max. +75 °C

Packing data	
Gross weight	0.185 kg
Length of packaging	60 mm
Packaging width	30 mm
Packaging height	165 mm
Disposal at end of life	This product must not be disposed of with household waste. You are obliged, to dispose of such electrical waste separately. By disposing of electrical waste and other old or defective electronics separately, you support recycling or other forms of re-use. In that way you help to take care and to avoid that harmful substances get into the environment.