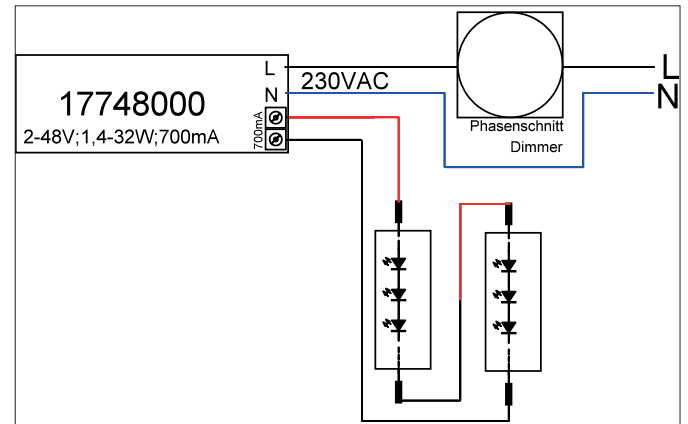


**LED converter 700 mA, trailing-edge phase dimmable**

Article no. 17748020

Light.  
For Generations.**Tender**

LED converter 700 mA, trailing-edge phase dimmable. This driver fulfills the requirements for safety lighting systems in accordance with DIN EN 50172 VDE 0108-100:2005-01. This converter is equipped with safety devices which protect it against overvoltage, short-circuit as well as thermal and electric overloads. The input and output terminals are suitable for cables with a cross-section of up to 1.5 mm<sup>2</sup>. Material: Plastic, Degree of protection: according to DIN EN 60529 IP20, Protection class: (EN 61140) II, Current: 700 mA, Voltage: 230V AC 50Hz, Power: 32W, Control: Trailing-edge phase.

Article data	
Article no.	17748020
GTIN	4251433924524
Short description	LED converter 700 mA, trailing-edge phase dimmable
Material	Plastic
Length	166 mm
Width	46 mm
Height	34 mm
Scope of delivery	Plug&Play version with 110 mm P&P output cable
Weight	0.223 kg

**LED converter 700 mA, trailing-edge phase dimmable**

Article no. 17748020

Light.  
For Generations.

Operating technology of driver	
AC nominal voltage min	220 V
AC nominal voltage max	240 V
Frequenz max.	50 Hz
Current	700 mA
Protection class	II
Degree of protection	IP20
Starting current	5A 50µs
Power min	1.4 W
Power	32 W
Control	Trailing-edge phase
Environment temperature (ta)	-25 °C bis +50 °C
Measure point (tc)	max. +75 °C
Version	Plug&Play + connection box
Power factor	0.97

Packing data	
Gross weight	0.29 kg
Length of packaging	140 mm
Packaging width	110 mm
Packaging height	120 mm
Disposal at end of life	This product must not be disposed of with household waste. You are obliged, to dispose of such electrical waste separately. By disposing of electrical waste and other old or defective electronics separately, you support recycling or other forms of re-use. In that way you help to take care and to avoid that harmful substances get into the environment.