

<b>somfy</b> <sup>®</sup>	24/10/2006	<b>LT 60 TECHNICAL DATA</b>	<b>DMKI - FPTE</b>
			<b>RANGE 1</b>
			<b>LT60Range1R1</b>

Nominal voltage	230 V - 50 Hz
Power supply tolerances	207 - 244V
Thermal time	4 minutes
Number of wires of the cable	4
Wire section	0,75 mm <sup>2</sup>
Type of limit switch unit	Quick limit switch
Capacity of the LSU	35 turns
Repeatability	± 5°
System of protection	IP 44
Interface drawings	Wheel interface LT60 206801-Crown interface LT60, LT60ADF, FTS60 & LT60CSI 206802-Interface drawing star head LT60 206803-Interface drawing LT50&60 buttons 206817.
Basic crown for tube Ø	63 x 1,5 mm
Temperature working range	Normal use : -10°C to +40°C Exceptional use (20% of the life time not continuous) : -25°C to + 70°C
Noise level	According to SOMFY measures (for information only).Worse value : in load up direction during 10 seconds.

Designation	Nm	rpm	reference	mm	mm	mm	mm	W	A	°C	Brake type	kg	dBA
	Nominal torque	Nominal speed		L1 max.	L2 (+3 mm)	L3 max.	tube	Rated power	Rated current	Thermal tripping		Weight	Noise
<b>Orion</b>	<b>40</b>	<b>17</b>	200425	614	597	620	550	240	1,05	140	sliding	3,94	63
<b>Orion S</b>	<b>55</b>	<b>17</b>	200426	614	597	620	550	290	1,25	130	sliding	4,17	64
<b>Vega</b>	<b>60</b>	<b>12</b>	200415	614	597	620	550	240	1,05	140	sliding	3,92	65
<b>Antares</b>	<b>70</b>	<b>17</b>	200427	659	642	665	595	350	1,5	130	sliding	4,59	66
<b>Sirius</b>	<b>80</b>	<b>12</b>	200416	614	597	620	550	290	1,25	130	sliding	4,19	65
<b>Jupiter</b>	<b>85</b>	<b>17</b>	200423	659	642	665	595	400	1,8	140*	sliding	4,45	65
<b>Titan</b>	<b>100</b>	<b>12</b>	200417	659	642	665	595	350	1,5	130	sliding	4,68	65
<b>Taurus</b>	<b>120</b>	<b>12</b>	200413	659	642	665	595	400	1,8	140*	sliding	4,45	65

\* Non resetable thermal protector

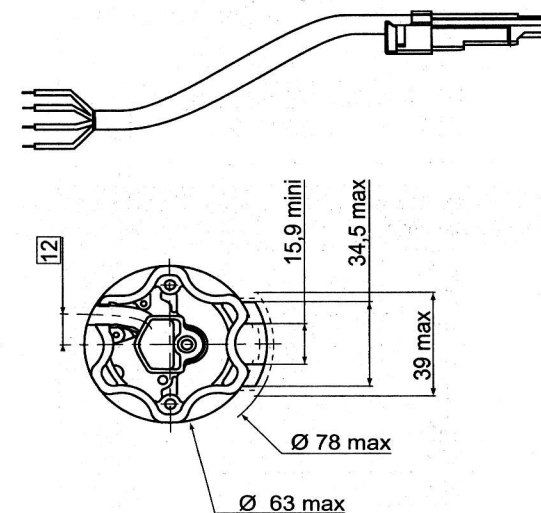
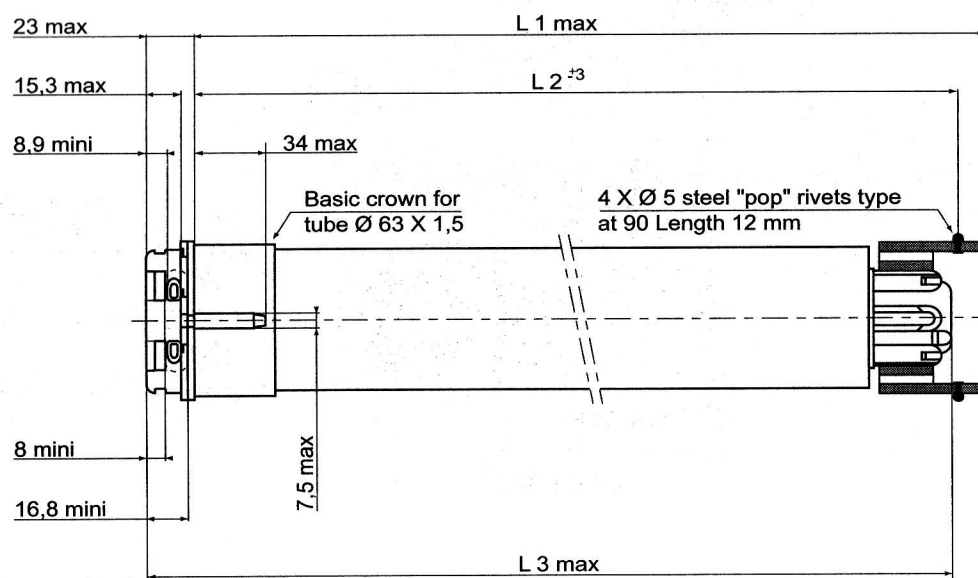


24/10/2006

LT 60 TECHNICAL DATA

RANGE 1

WIRING	Neutral	Blue
	White butte	Brown
	Yellow butte	Black
	Earth	Green / Yellow



Visa :	DT <i>Y. DEBORNES</i>	Quality <i>O. TRINQUET</i>	Mkg <i>A. KEILCHINGER</i>
--------	-----------------------	----------------------------	---------------------------