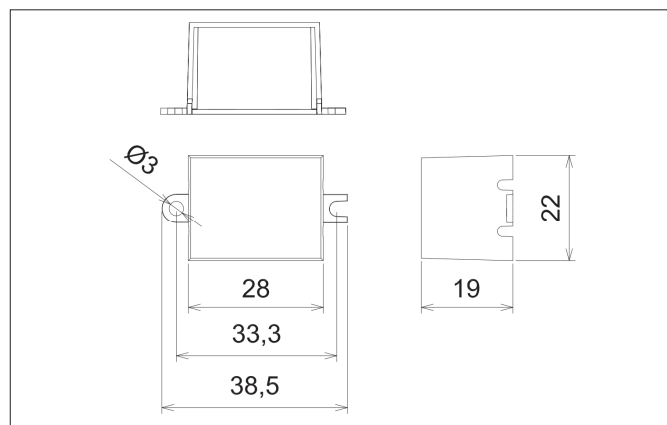



**Spike-Protector**

Article no. 17846010


**Tender**

Spike protector, surge protection device.

**Article data**

Article no.	17846010
GTIN	4255752519973
Short description	Spike-Protector
Length	38 mm
Width	21.9 mm
Height	19 mm
Weight	0.1 kg
Conformance	CE

**Operating technology of the luminaire**

Ambient temperature	-20°C bis +60°C
---------------------	-----------------

**Operating technology of driver**

Ambient temperature	-20°C bis +60°C
Connection type-primary	Cable
Connection type-secondary	Open ends



**Spike-Protector**  
Article no. 17846010

Packing data	
Gross weight	0.111 kg
Length of packaging	70 mm
Packaging width	47 mm
Packaging height	81 mm
Disposal at end of life	This product must not be disposed of with household waste. You are obliged, to dispose of such electrical waste separately. By disposing of electrical waste and other old or defective electronics separately, you support recycling or other forms of re-use. In that way you help to take care and to avoid that harmful substances get into the environment.

Required accessories	
Article no.: 17841010 LED driver 300 mA - 1,050 mA, DALI-2 dimmable, for through-wiring Leistung: 44 W Dimensions: 170 mm x 65 mm x 30 mm <a href="https://www.brumberg.com/fileadmin/products/Datenblatt_17841010_2021_DE.pdf">https://www.brumberg.com/fileadmin/products/Datenblatt_17841010_2021_DE.pdf</a>	