

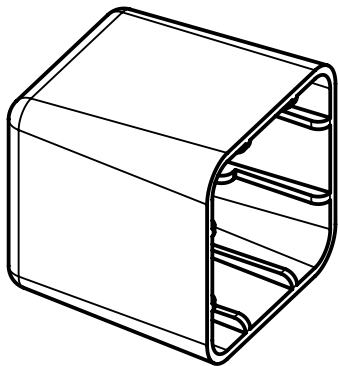
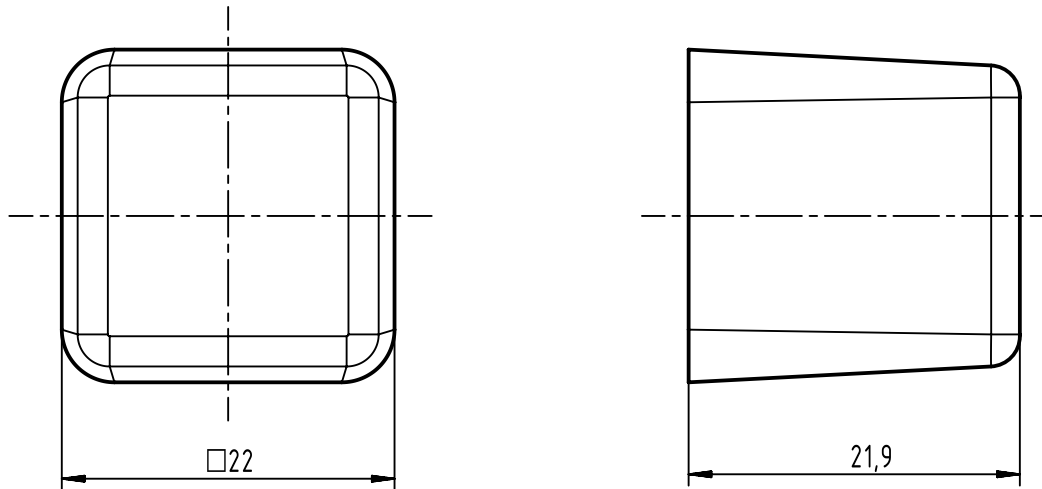
1 2 3 4 5 6


A

B

C

D



	All rights reserved Department EC PD - DE	All Dimensions in mm Original Size DIN A4		Scale 2:1	Free size tol.	Ref. Sub. TB 09 35 002 5412 / 35946 / 10.12.2009	
		Created by HAGEMEYERE	Inspected by ELLERMANN	Standardisation SCHREIER	Date 2015-10-12	State Final Release	
HARTING Electronics GmbH D-32339 Espelkamp		Title Han PP V14 dust cap cable side IP40				Doc-Key / ECM-Nr. 100108291/UGD/004/B 500000094365	
		Type TB	Number 09350025412		Rev. B	Page 1/1	