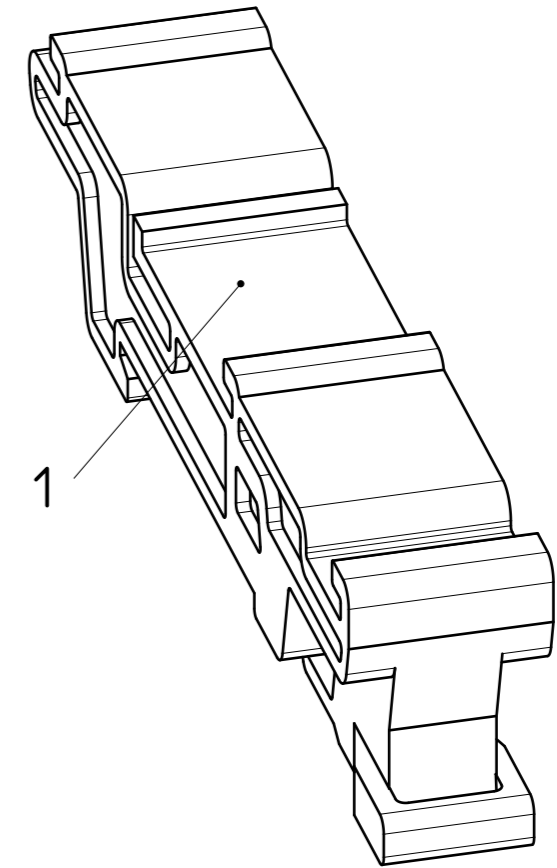
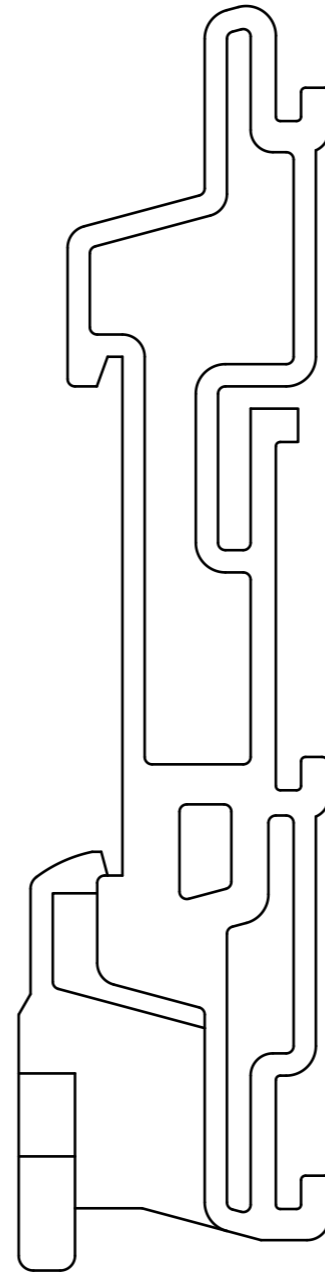
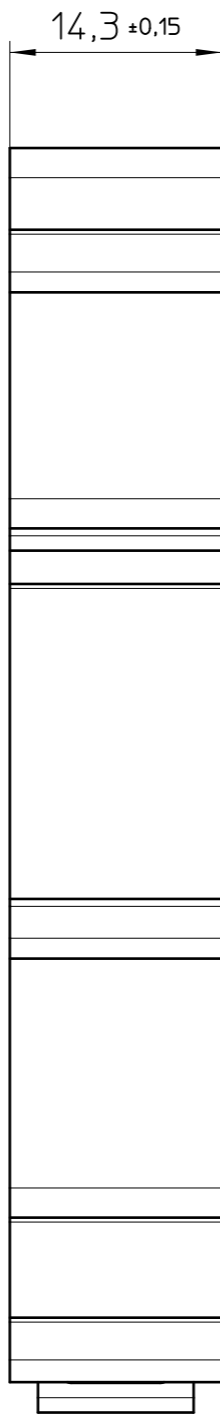
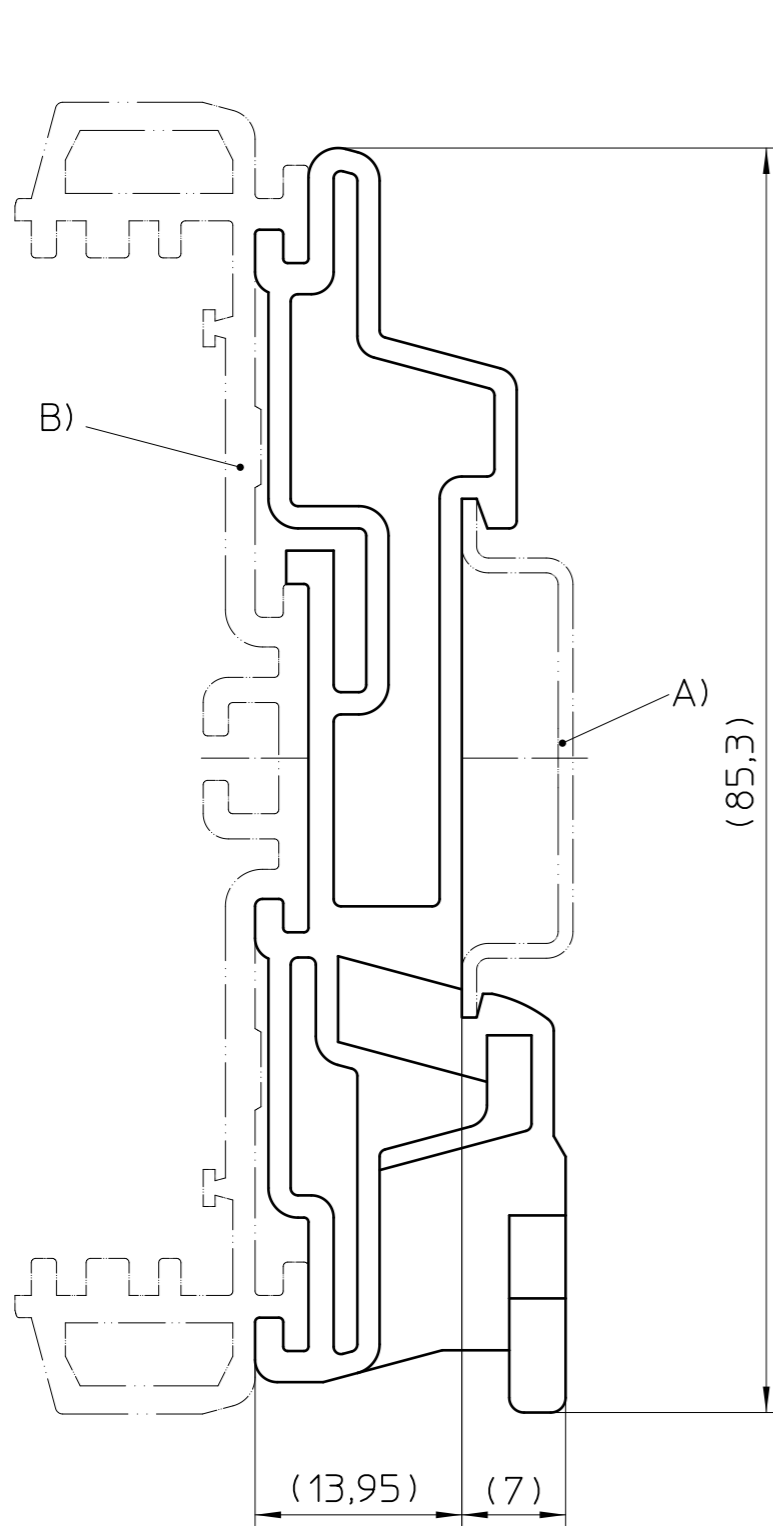


Transfer or duplication of this document as well as the utilisation or communication of its content are not permitted unless express consent is granted. Violations give rise to claims for damages. All rights reserved in case of patent, utility model or design patent registrations.

Weitergabe sowie Vervielfältigung dieses Dokuments, Verwertung und Mitteilung seines Inhalts sind verboten, soweit nicht ausdrücklich gestattet. Zuwiderhandlungen verpflichten zu Schadenersatz. Alle Rechte für den Fall der Patent-, Gebrauchsmuster- oder Designeintragung vorbehalten.



General Information:

- Simplified representation
- Document excluded from change process
- Linear dimensions [mm]
- Tolerances apply in a normal climate according to DIN EN ISO 291-23/50-2, PA plastic parts with about 2% (% by weight) moisture content.
- Web: [www.phoenixcontact.com](http://www.phoenixcontact.com) webcode: #0313 / #0314

Additional Information:

- A) Mounting rail according to DIN EN 60715: TH 35-7,5 or Mounting rail similar to DIN EN 60715: TH 35-15x1,5
- B) UM-PRO 72 PROFILE or UM-BASIC 72 PROFIL

Pos.	QTY	description		material
1	1	FOOT		PA
		DIN A3	document-No. / RI 01029646 / 01	date 22.05.2025
		ident.-No. 2202020		scale 2:1
		description UM-BASIC/PRO 72 FOOT KMGY		document-type TECDOC 2D_Productdrawing
page 1 of 1				