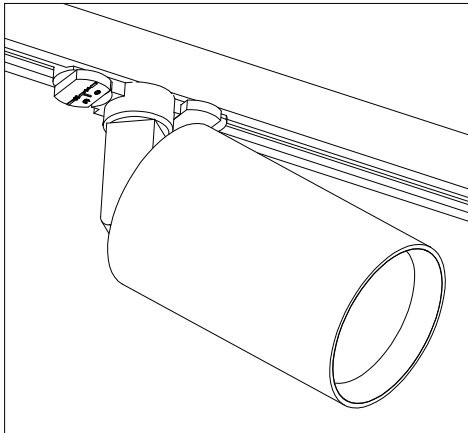
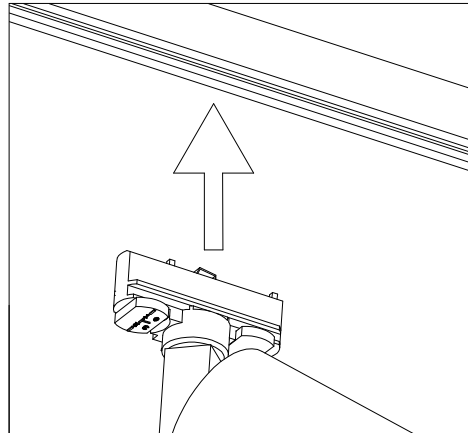


MIDPOINT C6 | 3-PHASE TRACK EUTRAC

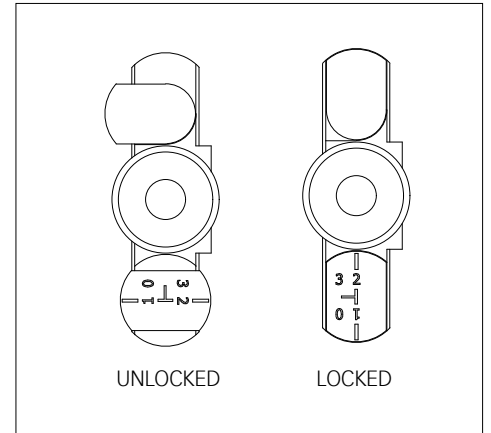
1. MONTAGE UND INSTALLATION | MOUNTING AND INSTALLATION:



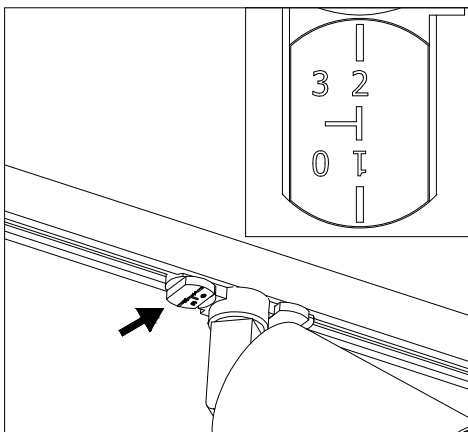
1. Bei allen Montagearbeiten Handschuhe tragen.
Use gloves when handling the fixture.



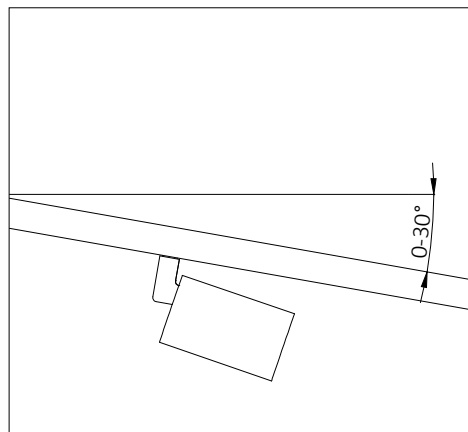
2. Mounting to the rail.



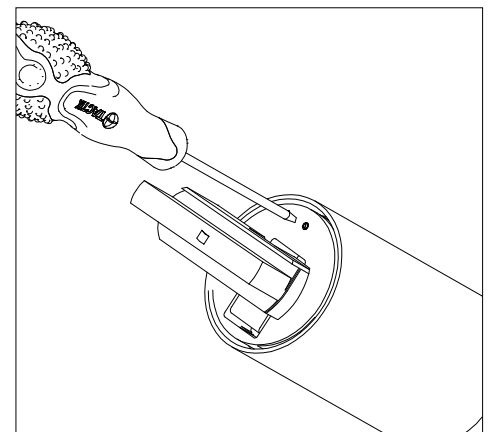
3. The handle locking in the power track.



4. The choice of power phase.



5. Acceptable inclination of the rail.



6. Dimming.