

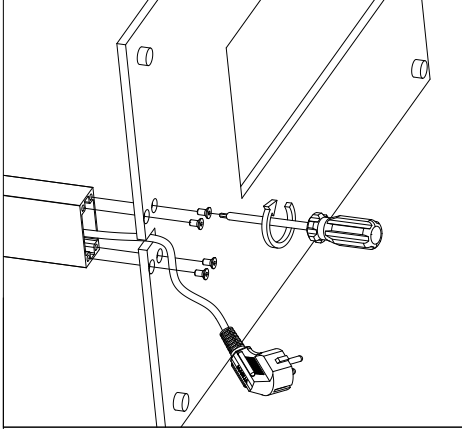
1. MONTAGE UND INSTALLATION | MOUNTING AND INSTALLATION:



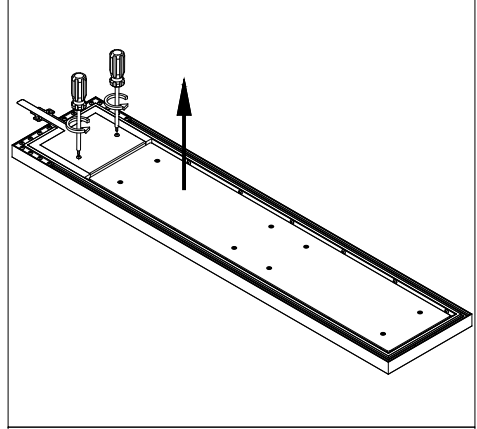
Don't use an electrical screwdriver during the installation.
Use allen key included the package.



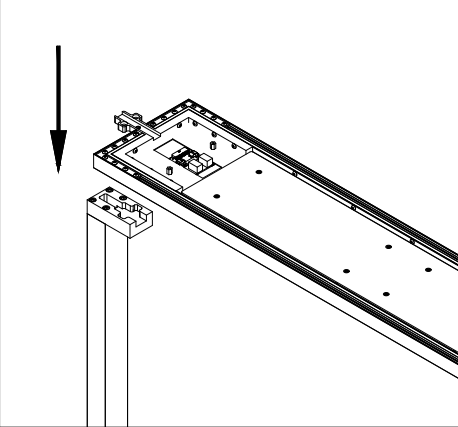
1. Bei allen Montagearbeiten Handschuhe tragen.
 Use gloves when handling the fixture.

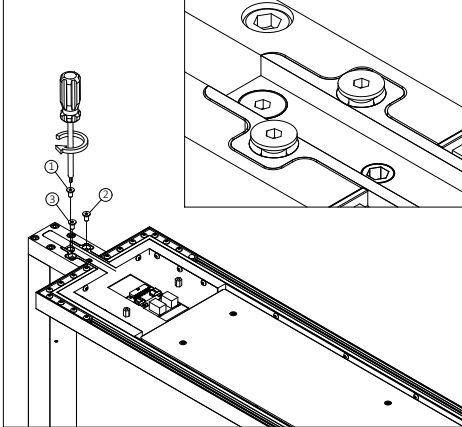
2.



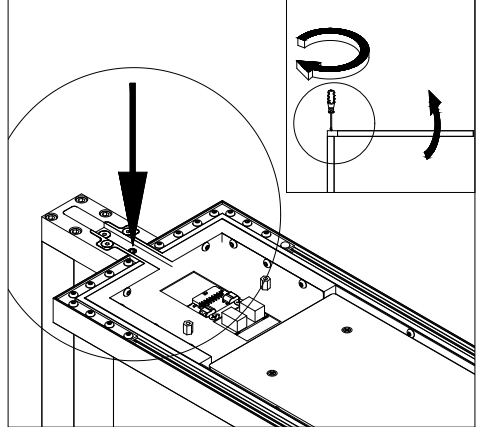
3.



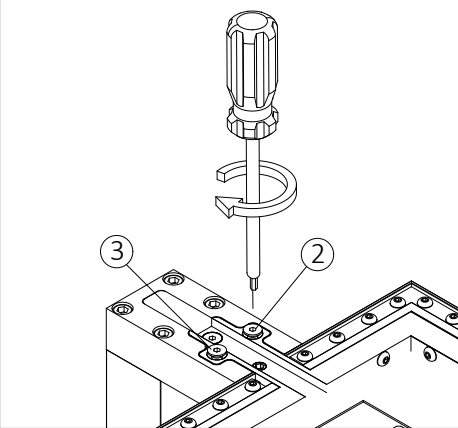
4.



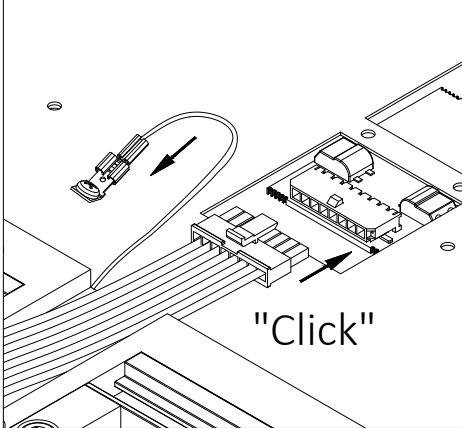
5. Fix the screw no.1
 Fix the screws no.2 and no.3 but not fully



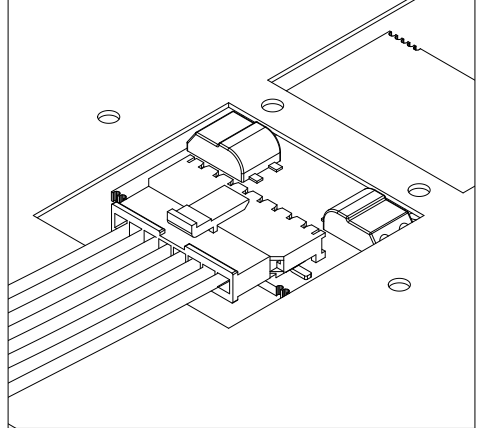
6. Use the marked screw to level the head.



7. After leveling fix the screws no.2 and no.3



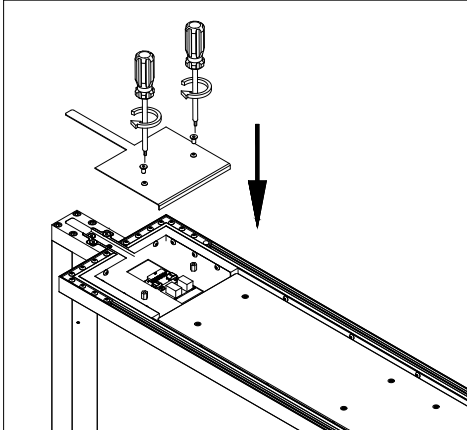
8. "Click"



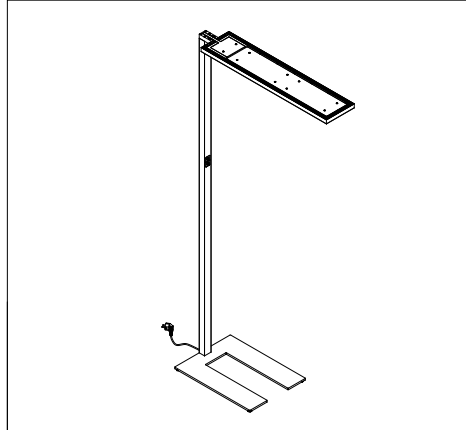
9.

CUBIC EVOLUTION F1 | FLOOR

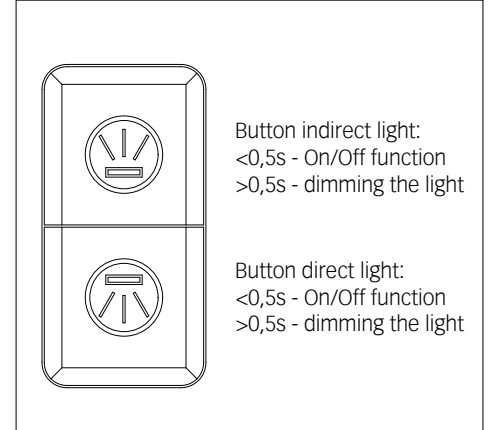
1. MONTAGE UND INSTALLATION | MOUNTING AND INSTALLATION:



10.



11.



12.

Button indirect light:
<0,5s - On/Off function
>0,5s - dimming the light

Button direct light:
<0,5s - On/Off function
>0,5s - dimming the light