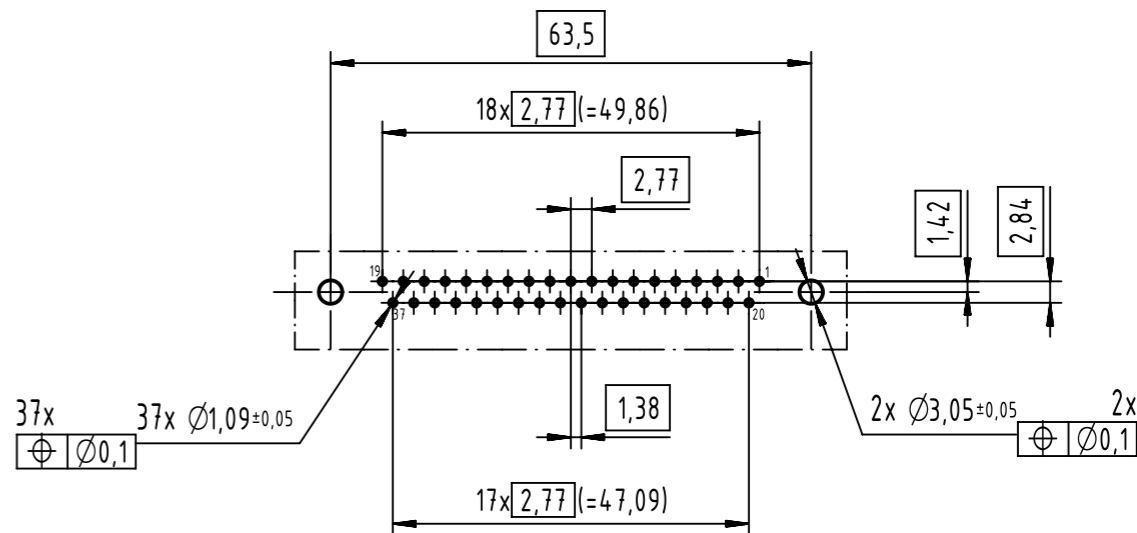


PC-Board layout
view component side
thickness 1,6



Connector insertion force on PCB = max. 80N

09684537611	M3	PL3
09684535611	M3	PLS4
09684537612	4-40 UNC	PL3
09684535612	4-40 UNC	PLS4
Part number	Nut thread	Performance level

	All Dimensions in mm Original Size DIN A3	Scale 1:1	Free size tol.	Ref.	
	All rights reserved Department EL PD	Created by ZHUANGJ	Inspected by LUOK	Standardisation ROEBEN	Date 2021-08-31
Title D-Sub STD 37-pole female angled board lo		Type TB		State Final Release	
HARTING D-32339 Espelkamp		Number 0968453X61X		Doc-Key / ECM-Nr. 100539908/UGD/001/D 50000201818	
				Rev. D	Page 1/1