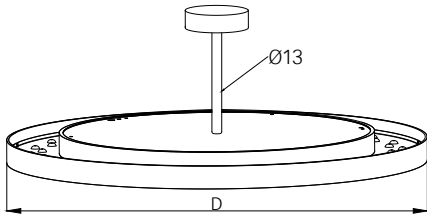


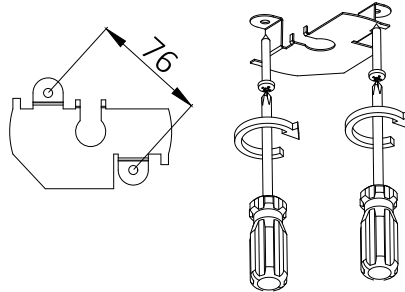
## BASIC NEO G5/P5 | SUSPENDED TUBE SUSPENSION (D400 - D600)

### 1. MONTAGE UND INSTALLATION | MOUNTING AND INSTALLATION:

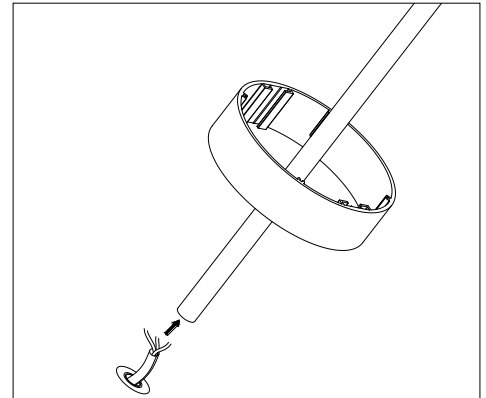
D400 - D600  
 TUBE: Ø13



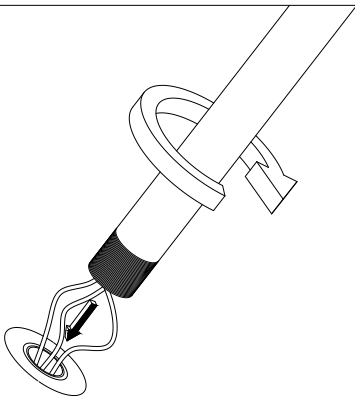
1. Bei allen Montagearbeiten Handschuhe tragen.  
 Use gloves when handling the fixture.



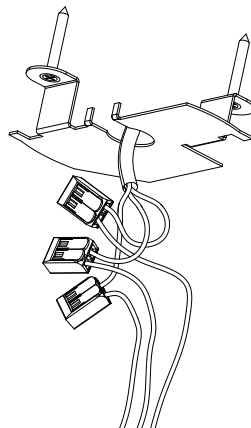
2. Montageöffnungen.  
 Installation openings.



3.

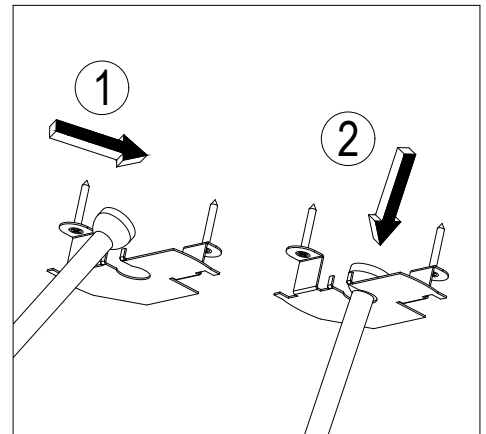


4.

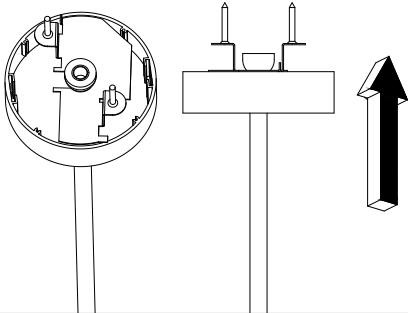


5.

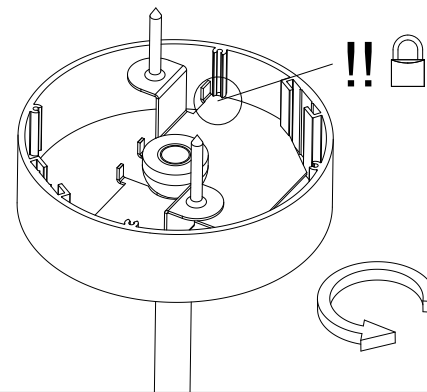
- min/max stripped wire length: 7mm-10mm  
 - max power supply cable: 1,5mm<sup>2</sup>



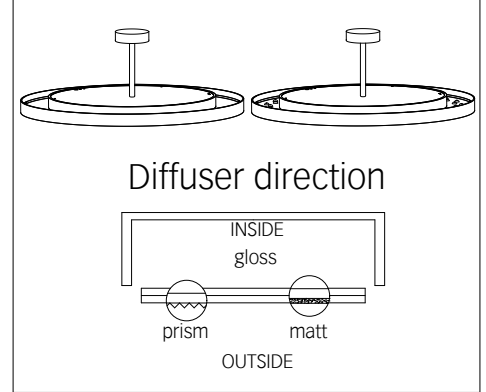
6.



7.



8.



9.

## BASIC NEO G5/P5 | SUSPENDED TUBE SUSPENSION (D800)

### 1. MONTAGE UND INSTALLATION | MOUNTING AND INSTALLATION:

D800  
 TUBE: Ø35

1. Bei allen Montagearbeiten Handschuhe tragen.  
 Use gloves when handling the fixture.

2. Montageöffnungen.  
 Installation openings.

3.

4.

5.

- min/max stripped wire length: 7mm-10mm

- max power supply cable: 1,5mm<sup>2</sup>

6.

Diffuser direction

INSIDE  
 gloss

prism matt

OUTSIDE

7.