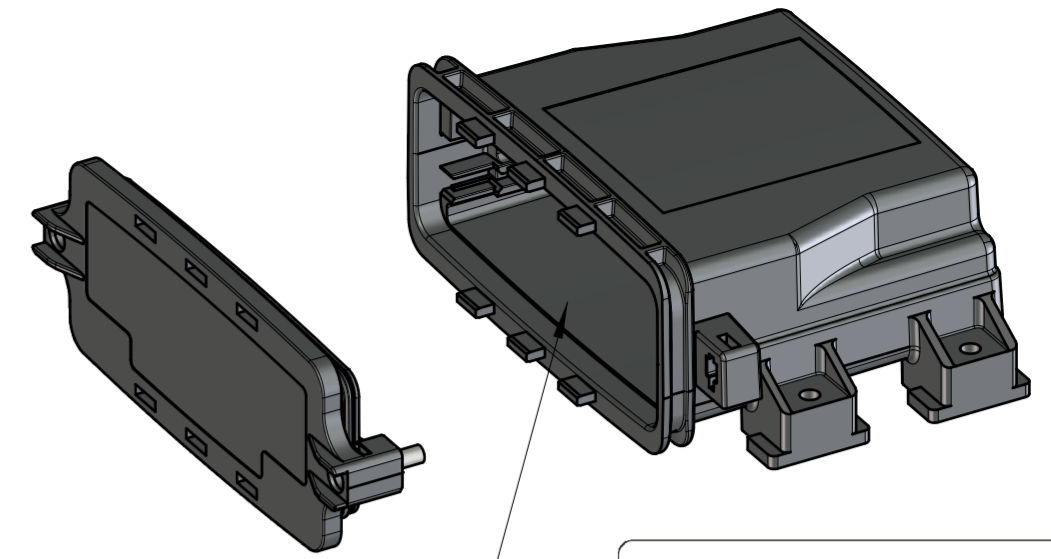
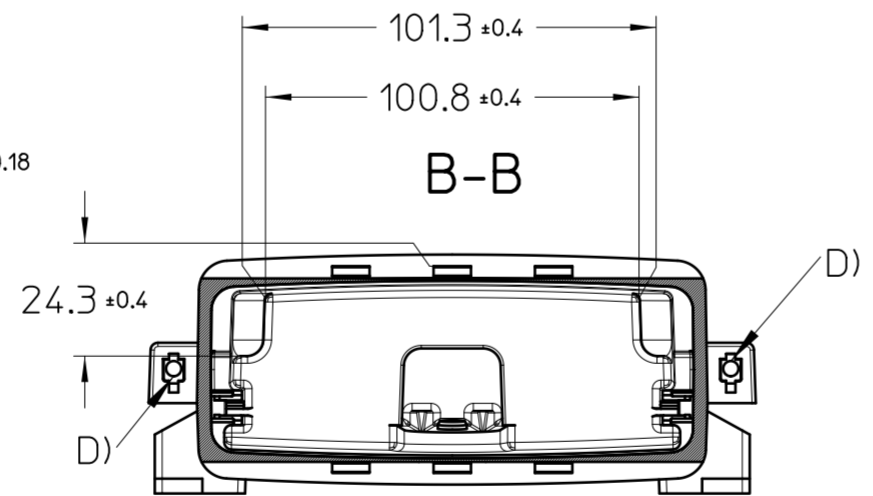
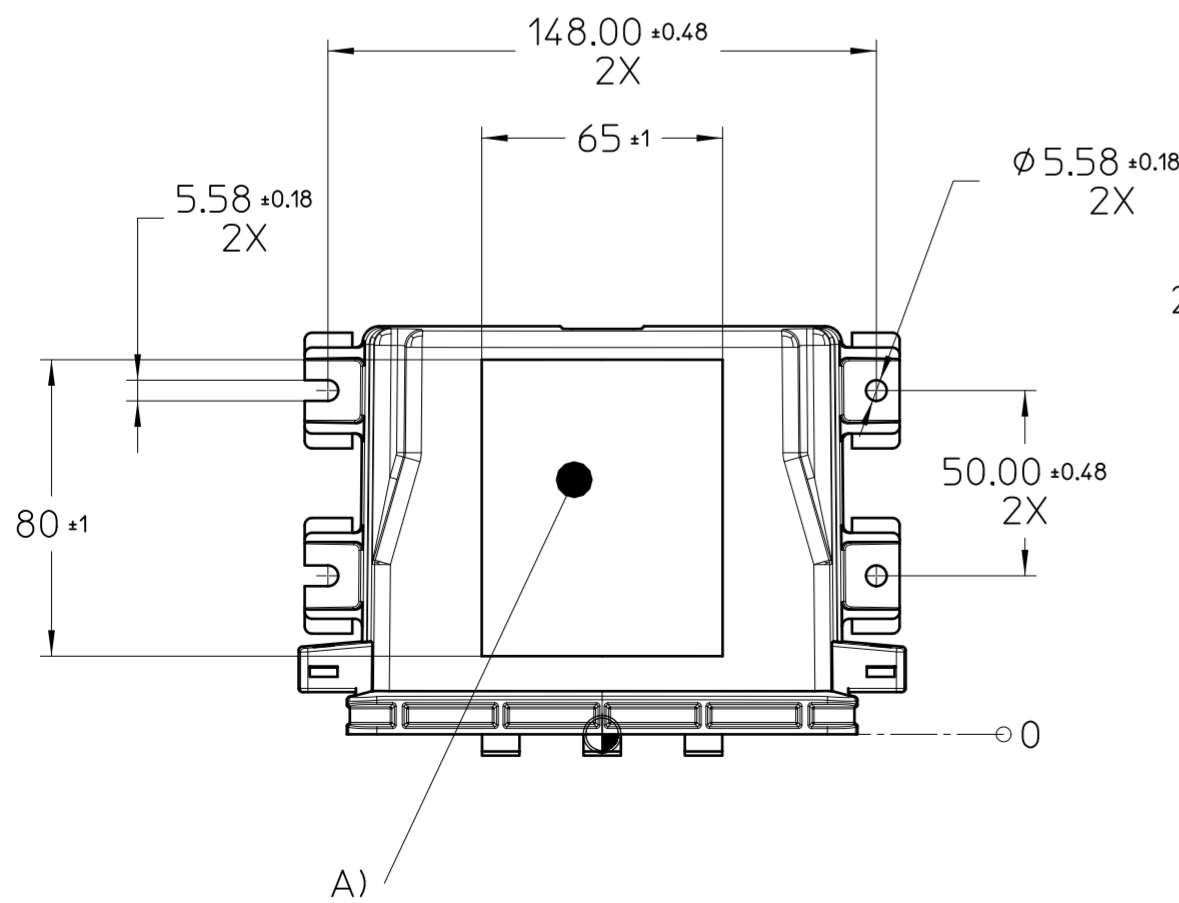
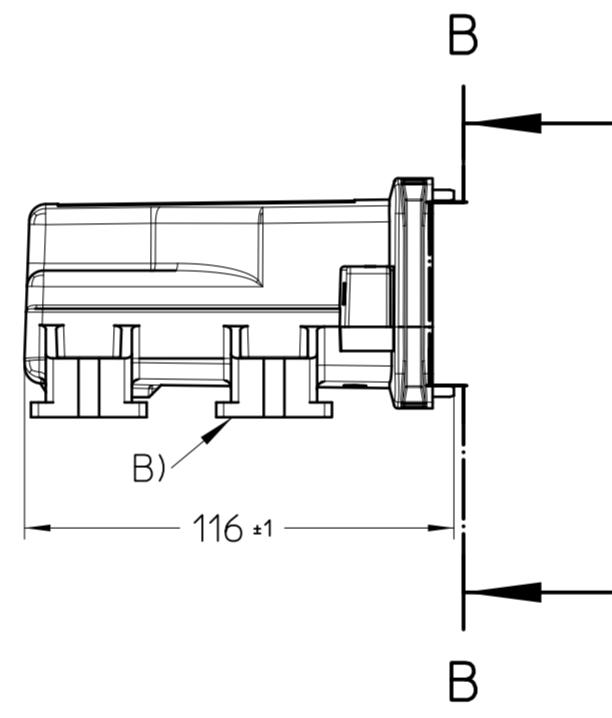
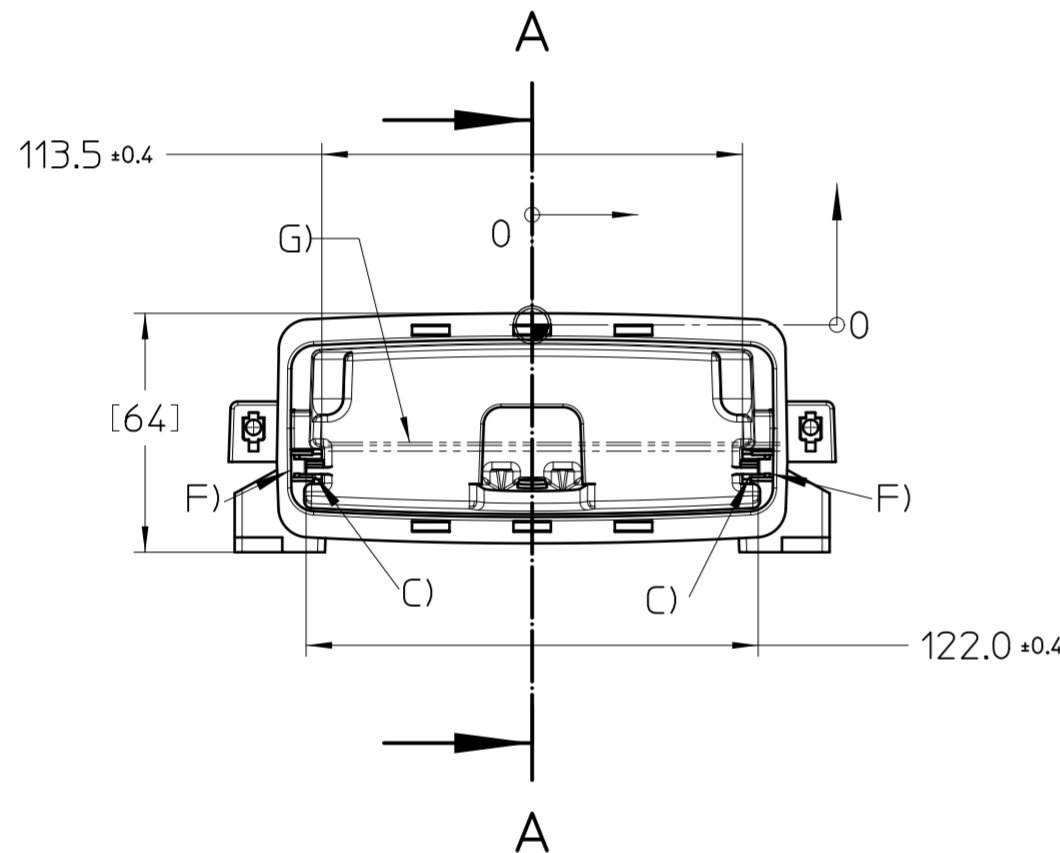
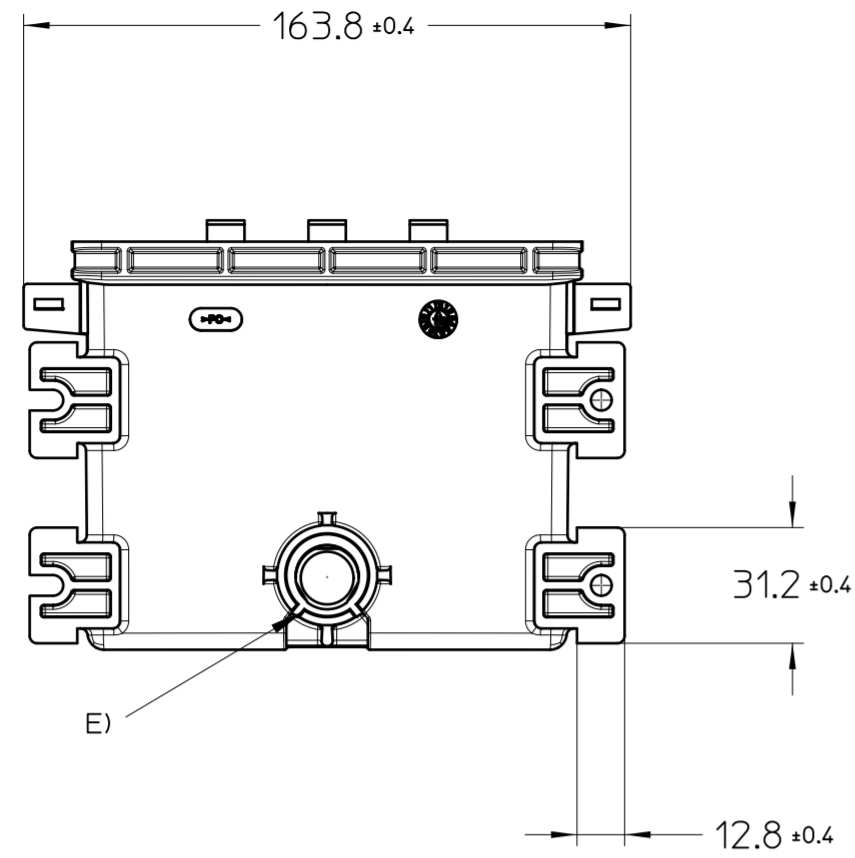


Transfer or duplication of this document as well as the utilisation or communication of its content are not permitted unless express consent is granted. Violations give rise to claims for damages. All rights reserved in case of patent, utility model or design patent registrations.

Weitergabe sowie Vervielfältigung dieses Dokuments, Verwertung und Mitteilung seines Inhalts sind verboten, soweit nicht ausdrücklich gestattet. Zuwiderhandlungen verpflichten zu Schadensersatz. Alle Rechte für den Fall der Patent-, Gebrauchsmuster- oder Designeintragung vorbehalten.



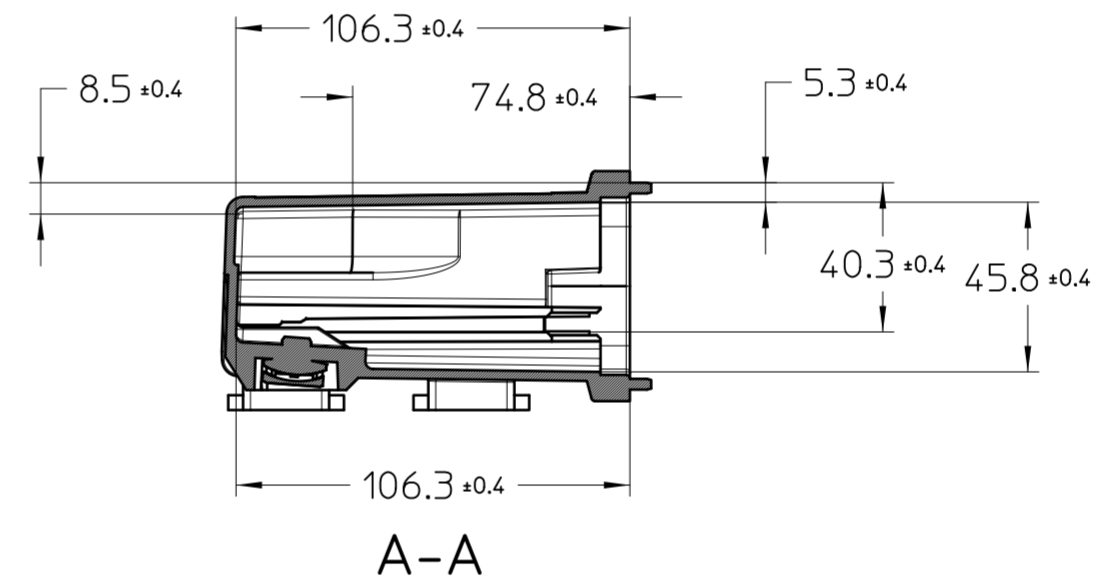
PHOENIX CONTACT PHOENIX CONTACT GmbH & Co. KG
 Flachmarkstraße 8, 32825 Blomberg, Germany
 phoenixcontact.com

Outdoor Enclosure ECS-EX
 1292758
 ECS-EX 122X109-S-UV1-V V/C: 00

Ex II 2G Ex eb IIC Gb
 II 2D Ex tb IIIA Db
 II 3D Ex tc IIIB Dc

EPS 20 ATEX 1 235 U
 IECEx EPS 20.0015U

EX MARKING INSIDE



GENERAL INFORMATION:
 - SIMPLIFIED REPRESENTATION
 - DOCUMENT EXCLUDED FROM CHANGE PROCESS
 - LINEAR DIMENSIONS (MM)
 - WEB: WWW.PHOENIXCONTACT.COM

ADDITIONAL INFORMATION:
 A) LABEL AREA
 B) MOUNTING FEET W. FLANGES FOR ECS-PM
 C) PCB GUIDE (.062" AND .093" THICK PCB)
 D) M5 NUT FOR ATTACHMENT WITH ECS-P-122X169-S-...
 E) INSTALLED BREATHABLE VENT
 F) MOUNTING AREA FOR ECS-BL
 G) PCB T=1.57 MM (.062") / T=2.36 MM (.093")

WORKPIECE ZERO POINT FOR MECHANICAL PROCESSING

Pos.	QTY	description	material
1	1	ECS EX ENCLOSURE	PC
		document-No. / RI	date
		01375880 / 01	02.09.2021
		scale	1:2
		ident.-No.	document-type
		1292758	TECDOC 2D_Productdrawing
		description	
		ECS-EX 122X109-S-UV1-V	
page 1	of 2		

