

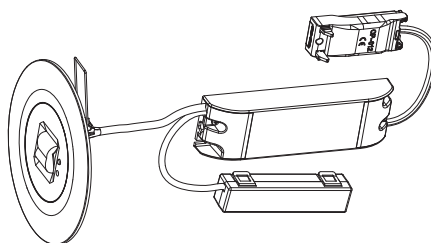
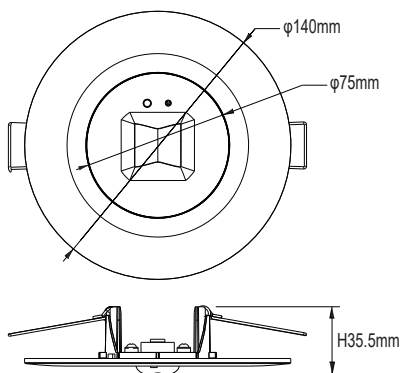
IRIS EMERGENCY LIGHT

EN Installation Instructions
DE Montageanleitung
CZ Montážní návod
DK Monteringsvejledning
EE Paigaldusjuhend
FI Asennusohje
FR Notice de montage
HU Szerelési útmutató
HR Uputstvo za montažu
NL Montagehandleiding
RO Instructiuni de montaj

IT Istruzioni di montaggio
LT Montavimo Instrukcijos
LV Instalācijas instrukcija
NO Monteringsanvisning
PL Instrukcja montażu
SE Installationsanvisning
RU Инструкция по монтажу
SRB Instrukcija za instalaciju
SK Montážny návod
SLO Navodilo za montažo
CN 安装说明书

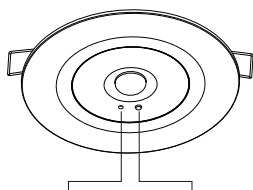
Emergency Information

X	0	AF	180
---	---	----	-----



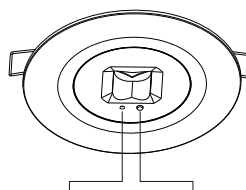
SAP Code	Product Description	Voltage (Vac)	Frequency (Hz)	Power (W)	Efficacy (lm/W)	CCT (K)	PF	Flux (lm)	Operating temperature	Size (mm)
96635650	IRIS ANTIPANIC SELFTEST E3 LIFEPO4	220-240	50/60	Max 3	150	4000	≥0.4	210	0~40°C	φ140*35.5
96635651	IRIS ESCAPE SELFTEST E3 LIFEPO4	220-240	50/60	Max 3	145	4000	≥0.4	200	0~40°C	φ140*35.5
96635653	IRIS REPLACEMENT BATTERY LIFEPO4									MAX φ20*72

ANTIPANIC




Indicator LED Test switch

ESCAPE



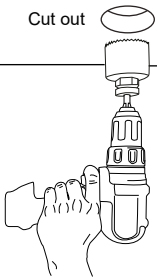
Indicator LED Test switch

IRIS EMERGENCY LIGHT

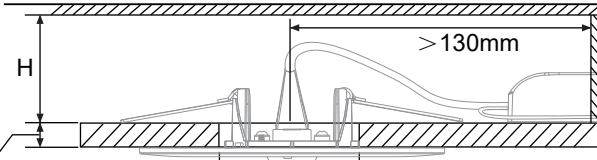


OFF

Cut out

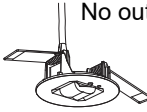


Installation




Ceiling: $1 \leq T \leq 20$ (mm)

No outer ring



Cut out: $\Phi 67 \sim 70$ mm
H ≥ 146 mm

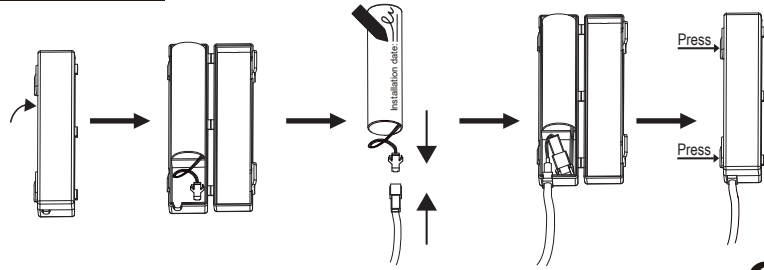
Outer ring



Cut out: $\Phi 75 \sim 130$ mm
H ≥ 65 mm

1


Load the battery



Installation date: _____

2

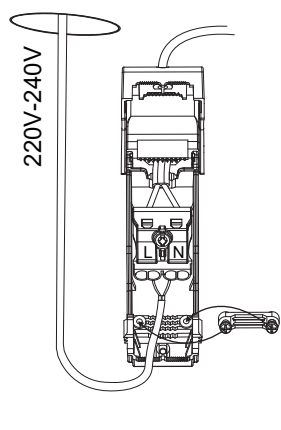
Battery is replaceable



Charge Duration: 16 Hours
 Discharge Duration: 3 Hours
 (Initial Test @25°C)

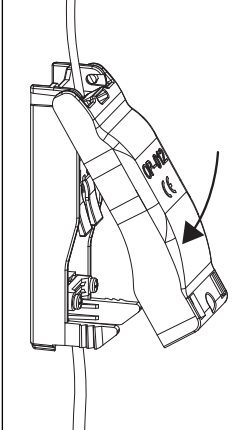
96635653
 IRIS REPLACEMENT
 BATTERY LIFEPO4

Installation date: _____

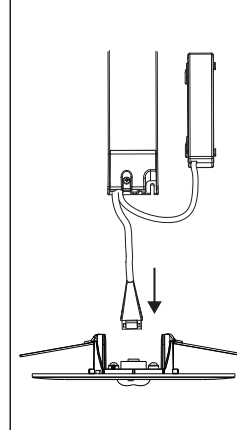


220V~240V

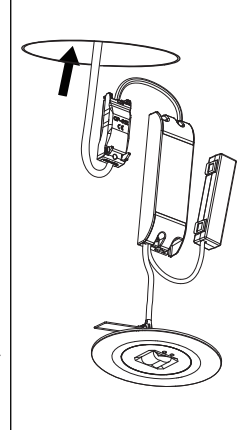
3



4

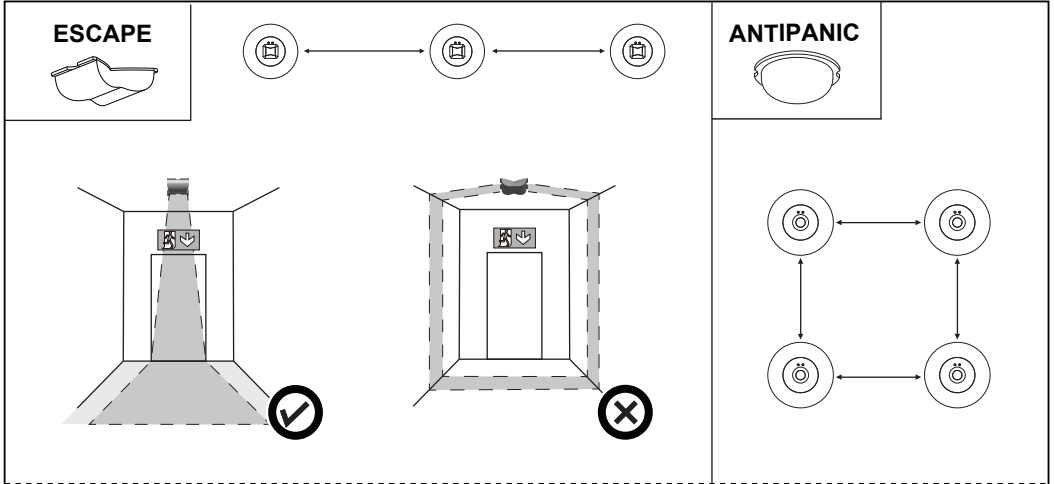
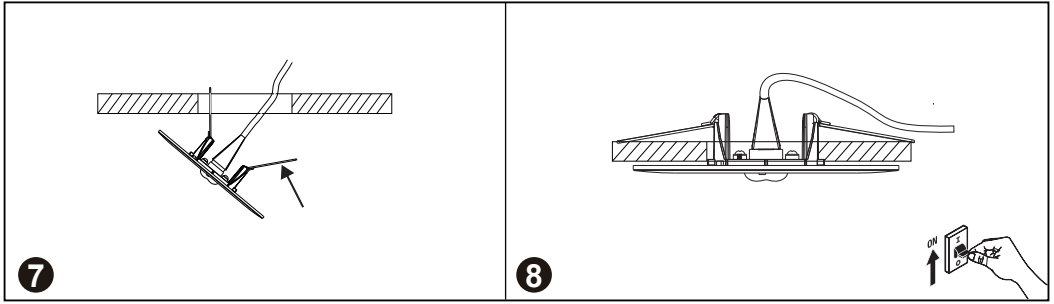


5



6

IRIS EMERGENCY LIGHT



H	Escape		Antipanic	
	1 lx		0.5 lx	
2m	6.6	14.9	5.8	14.2
2.5m	7.4	17.3	5.6	15.8
3m	7.8	19.4	4.6	16.5
3.5m	7.6	20.9	4.4	15.9
4m	7	21.9	4.3	13.6
4.5m	6.6	22.1	4	12.8

Explanation of LED indicator

	Color	LED indication	Status	Comment
	Green	Permanent green	Charging Mode/ Fully Charged	AC mode
	Green	Fast flashing green (0.1 sec on, 0.1 sec off)	Function test in progress	AC mode
	Green	Slow flashing green (1 sec on, 1 sec off)	Duration test in progress	AC mode
	Red	Permanent red	Load failure	Open circuit / Short circuit / LED failure
	Red	Slow flashing red (1 sec on, 1 sec off)	Battery failure	Battery failed the duration test or function test / No battery
		Green and red off	DC mode	Battery operation (emergency mode)

Self-test

The emergency kits carry out self-tests automatically to ensure its functionality.

The self-test includes 3 types of tests:

Initial test

-As soon as mains supply is connected, the emergency kit will carry out a 5-seconds functional test automatically.

In case of battery failure, LED indicator will turn flashing red; In case of LED light source failure, LED indicator will turn permanent red. Otherwise, the charge mode will start.

Functional test

- Refers to charging, discharging and the functioning of load.

- Carry out for 10 seconds automatically every 30 calendar days.

Duration test

- Refers to the test of batteries capacity.

- Carry out every 180 calendar days.

Rest mode

Rest mode can be initiated during emergency mode by pressing test switch longer than 3 seconds.

The rest mode will be exited automatically after reconnect AC mains.

Test switch functionality

-Press and hold the test switch by less than 5 seconds to perform an emergency function test, as long as the test switch is activated.

-Press and hold the switch for more than 15 seconds, and it will return to the factory setting (the self-test time returns to the starting time).

-Press and hold the test switch >10S in the fault status to eliminate the fault display.

Please note

If mains supply is off during self-test period, emergency conversion module would terminate self-test immediately and go into emergency mode.

Self-test is under the regulation of EN62034.

Yearly manual test will have no impact on battery life.

WARNING:

1. Ensure that any installation and maintenance is performed by a qualified electrician and the luminaire is wired in accordance with the latest IEE electrical regulations or local requirements.
2. If the external flexible cord of the luminaire is damaged, it shall be replaced by the manufacturer or his service agent or a similar qualified person.
3. Only to be installed outside arms reach.
4. Please replace the battery when the discharge duration can't reach to 3hours.



Thorn Lighting Limited,
Durhamgate, Spennymore,
Co Durham, DL16 6HL, UK
Zumtobel Lighting GmbH
Schweizerstrasse 30,
6850 Dornbirn, Austria