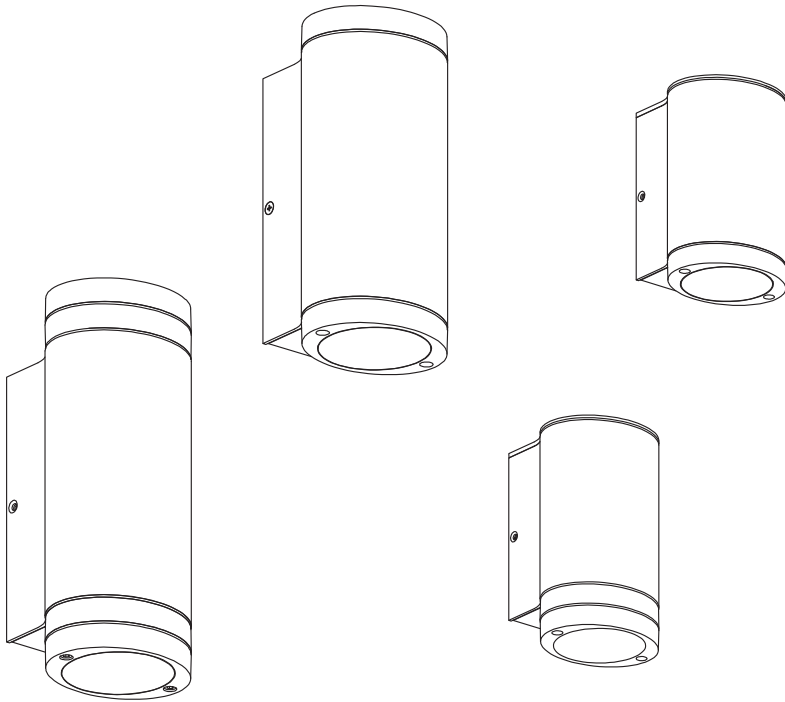














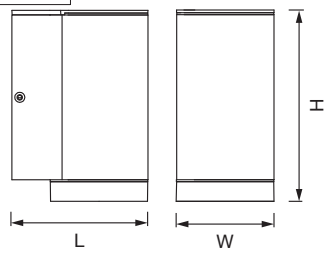

ENDURA® CLASSIC



	EAN	W	⌀ (°C)	V~	Hz
ENDURA CLASSIC BEAM GAP GU10 DG	4058075554511	max. 35	-20...+40	220-240	50/60
ENDURA CLASSIC BEAM GU10 DG	4058075554535	max. 35	-20...+40	220-240	50/60
ENDURA CLASSIC BEAMGAPUPDOWN GU10DG	4058075554559	max. 35	-20...+40	220-240	50/60
ENDURA CLASSIC BEAM UPDOWN GU10 DG	4058075554573	max. 35	-20...+40	220-240	50/60


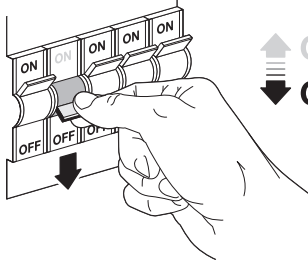
	1x 	630 g 4058075554511	
	4x  1x 	844 g 4058075554559	
1x 	1x 	601 g 4058075554535	
	4x  1x 	791 g 4058075554573	
	4x  1x 		

mm



	L	W	H
BEAM GAP WALL DOWN	104	92	162.5
BEAM WALL DOWN	104	92	146
BEAM GAP WALL UPDOWN	104	92	233
BEAM WALL UPDOWN	104	92	200

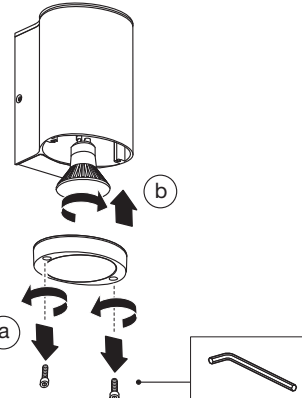
1

ON
OFF

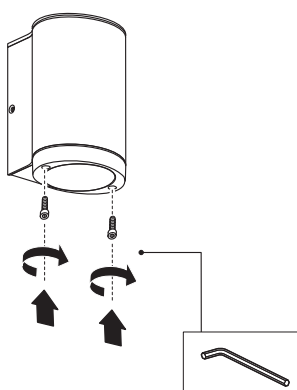
↑ ON
↓ OFF

2

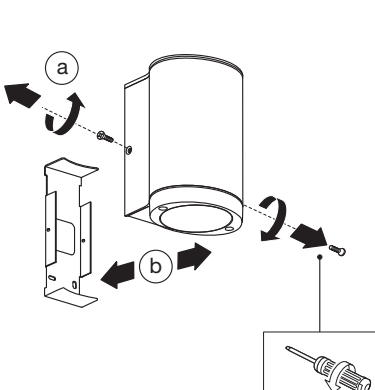


(a) (b)

3

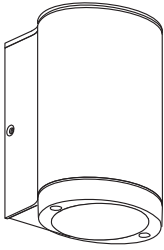


4

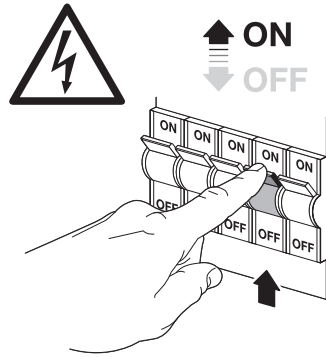


(a) (b)

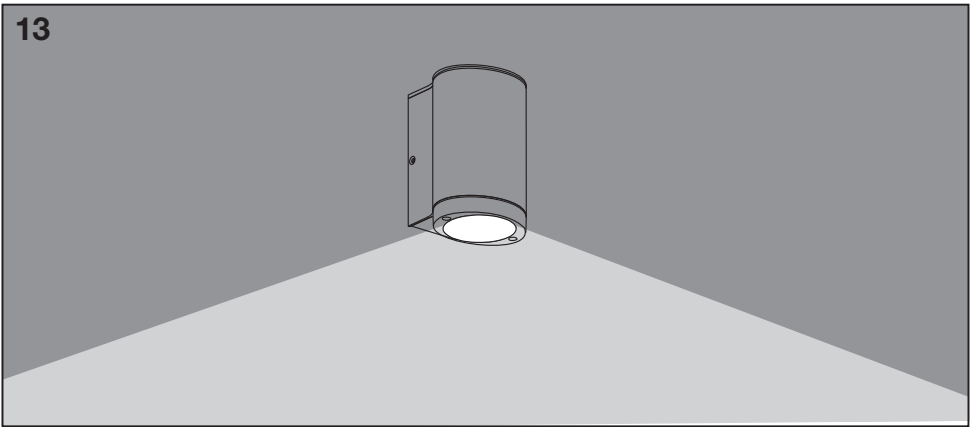
11



12



13



CE ENEC 061    IP44

C10449057
G11107060
11.12.2020



LEDVANCE GmbH
Steinerne Furt 62
86167 Augsburg, Germany
www.ledvance.com