

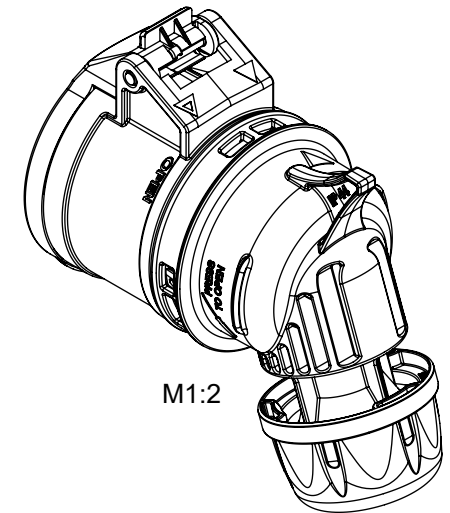
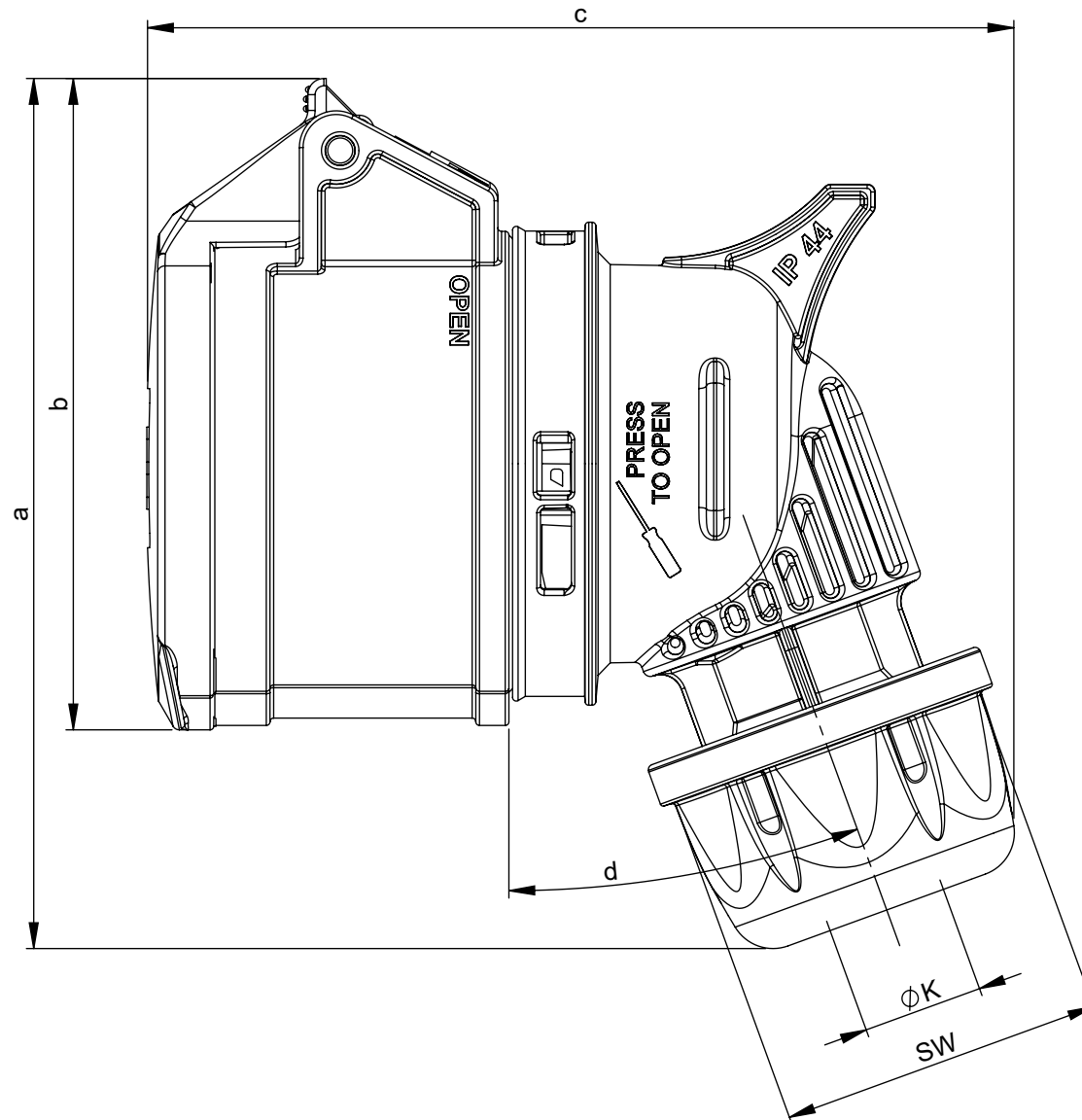
Maßskizze / dimensional drawing

Benennung: Winkelkupplung 7-polig IP44/54 TWIST

description: Angled connector 7-pole IP44/54 TWIST

Teilenummer / part number: 8217-*, 8227-*

PCE



| | | |
|---------|------|---------|
| Ampere | 16 | 32 |
| Pole | 7 | 7 |
| a [mm] | 118 | 130 |
| b [mm] | 89 | 98 |
| c [mm] | 119 | 148 |
| d [°] | 20 | 25 |
| K [mm] | 8-16 | 11,5-22 |
| SW [mm] | 42 | 50 |